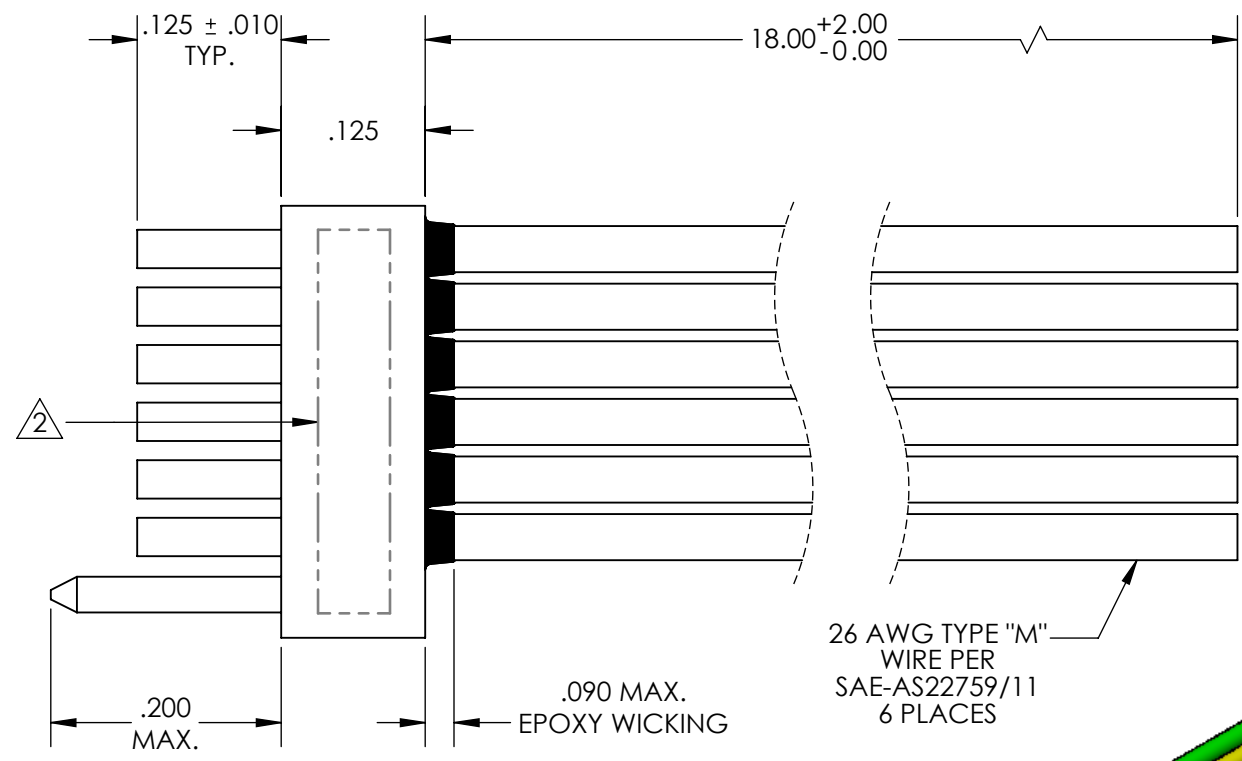
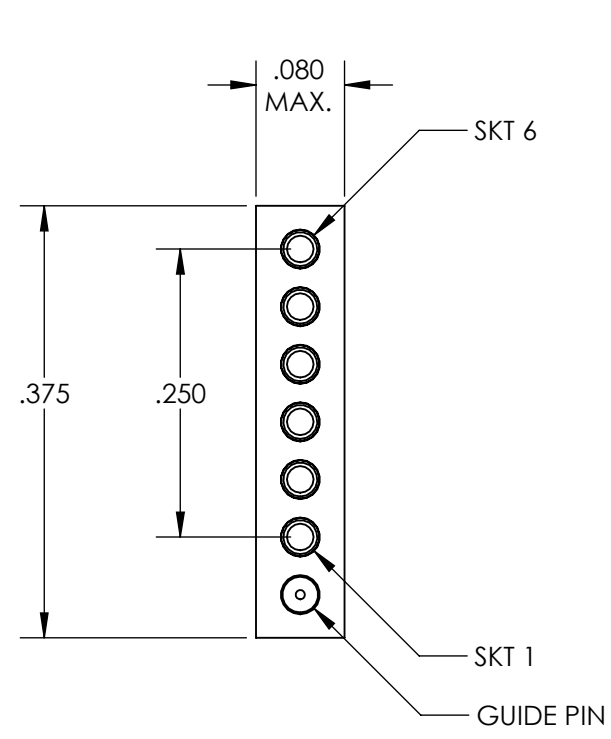


REVISIONS

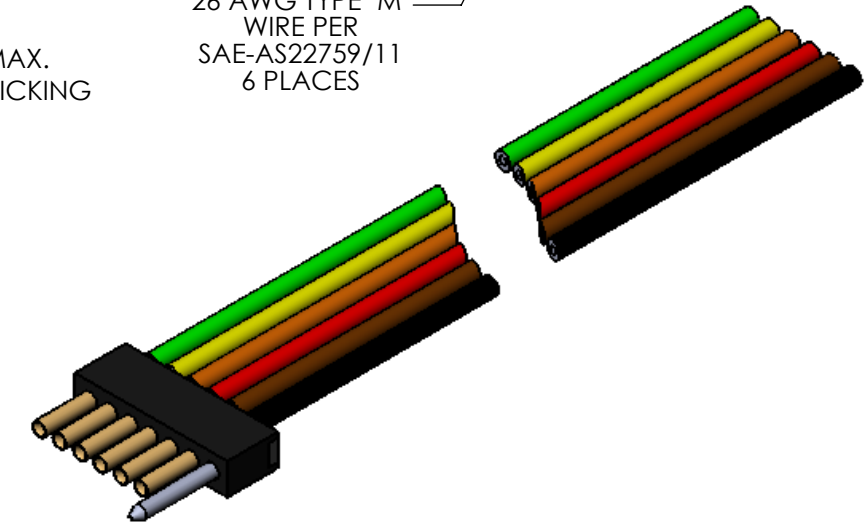
PART REV.	DWG. ISSUE	DATE	ECN NO.	APPVD. BY	REL. BY
-	-	11/18/2013	UMI5160	DW	DW



COLOR CODE

1	BLK
2	BRN
3	RED
4	ORG
5	YEL
6	GRN

26 AWG TYPE "M" WIRE PER SAE-AS22759/11 6 PLACES



4. PERFORMANCE SPECIFICATIONS:
 CURRENT RATING: 3A MAX.
 INSULATION RESISTANCE: 5000 MΩ MIN.
 DWV: 600 VAC
 TEMPERATURE RATING: 200°C

3 MATERIALS:
 BODY: PPS PER MIL-M-24519 GST-40F, COLOR: BLK
 SOCKET CONTACTS: C21000 COPPER ALLOY PER ASTM B36, GOLD PLATED PER ASTM B488
 GUIDE PIN: PASSIVATED 300 SERIES STAINLESS STEEL

2 MARKINGS: UMI, UMI PART NO., AND DATE CODE, AS SPACE PERMITS
 1. CONNECTOR ASSEMBLY IS IAW MIL-DTL-83513 WHERE APPLICABLE

NOTES: UNLESS OTHERWISE SPECIFIED

QUALITY SYMBOLS CRITICAL MAJOR NO SYMBOL = MINOR DIMENSION	UNLESS SPECIFIED: ALL DIMENSIONS IN INCHES GENERAL TOLERANCES: 3 PLACE ±.005 2 PLACE ±.01 ANGULAR ±2° ALL EXTERNAL SPECIFICATIONS REFERENCED ON THIS DRAWING SHALL BE THE LATEST REVISION IN EFFECT Ulti-Mate CAGE CODE 58967	SCALE 6:1 DWG SIZE B DRAWN BY & DATE JB 10/31/2013 CHECKED BY & DATE DW 11-5-13 APPROVED BY & DATE DW 11-5-13 CAD FILENAME SD-437062901.slddrw	 THIRD ANGLE PROJECTION REVISE ON CAD ONLY TITLE MICRO-D STRIP CONNECTOR, WIRED, RECEPTACLE, SIZE 6 W/GUIDE PIN, HI-TEMP SR06S1-26M5-18.0-HT MATERIAL ENG PROJECT # E134 	SHEET NO. 1 OF 1 PART REV. -	
	THIS DRAWING CONTAINS INFORMATION THAT IS PROPRIETARY TO ULTI-MATE INCORPORATED AND SHOULD NOT BE USED WITHOUT WRITTEN PERMISSION.	DRAWING NO. SD-437062901 PART NO. 437062901	DRAWN BY & DATE JB 10/31/2013 CHECKED BY & DATE DW 11-5-13 APPROVED BY & DATE DW 11-5-13	TITLE MICRO-D STRIP CONNECTOR, WIRED, RECEPTACLE, SIZE 6 W/GUIDE PIN, HI-TEMP SR06S1-26M5-18.0-HT	SHEET NO. 1 OF 1 PART REV. -
	Ulti-Mate CAGE CODE 58967	SCALE 6:1 DWG SIZE B	DRAWN BY & DATE JB 10/31/2013 CHECKED BY & DATE DW 11-5-13 APPROVED BY & DATE DW 11-5-13	TITLE MICRO-D STRIP CONNECTOR, WIRED, RECEPTACLE, SIZE 6 W/GUIDE PIN, HI-TEMP SR06S1-26M5-18.0-HT	SHEET NO. 1 OF 1 PART REV. -
	Ulti-Mate CAGE CODE 58967	SCALE 6:1 DWG SIZE B	DRAWN BY & DATE JB 10/31/2013 CHECKED BY & DATE DW 11-5-13 APPROVED BY & DATE DW 11-5-13	TITLE MICRO-D STRIP CONNECTOR, WIRED, RECEPTACLE, SIZE 6 W/GUIDE PIN, HI-TEMP SR06S1-26M5-18.0-HT	SHEET NO. 1 OF 1 PART REV. -