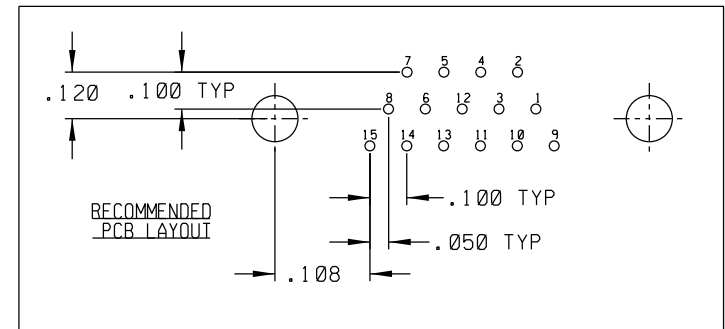
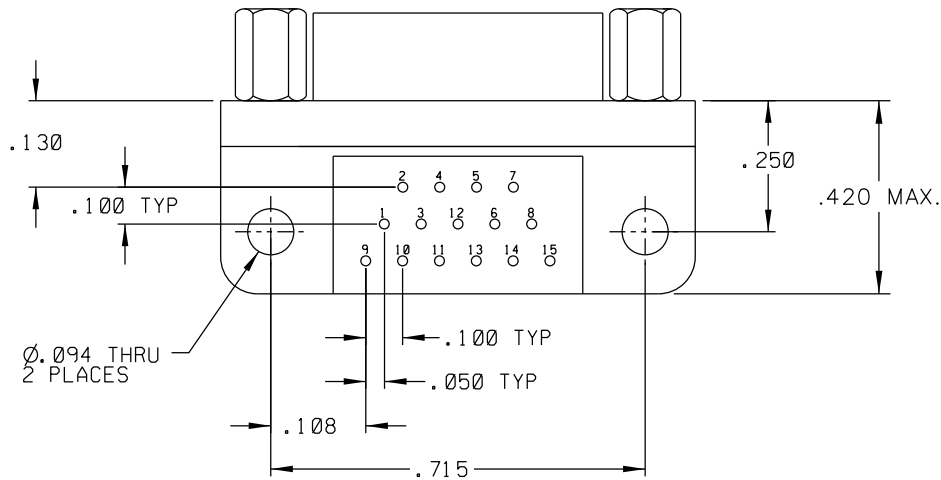
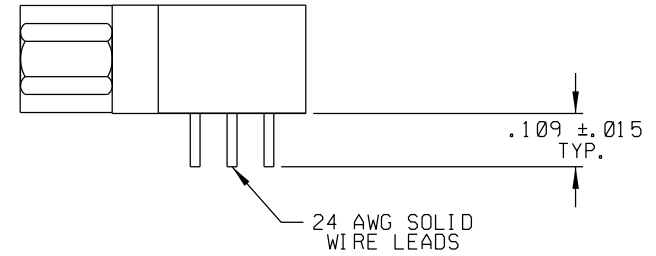
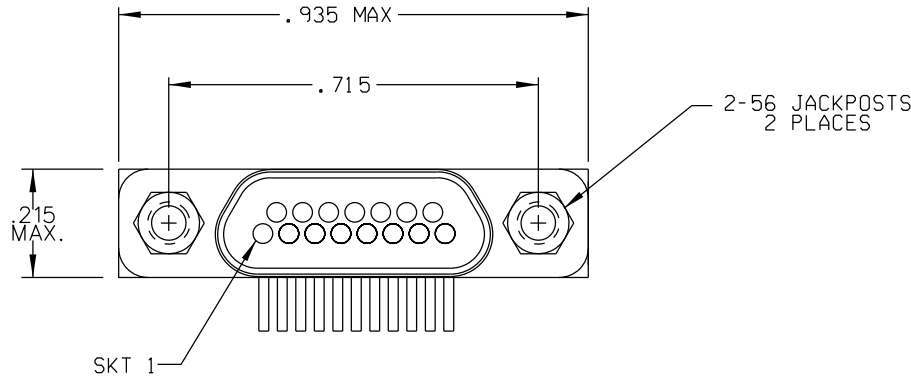


PART REV	DWG ISSUE	DATE	ECN NO.	APPVD BY	REL BY
-	-	2-27-14	UMI 5251		



- 4. TEMPERATURE RATING 200°C.
- 3. NUMBERS ON BACKSHELL ARE SHOWN FOR REFERENCE ONLY AND DO NOT APPEAR ON PART

2 MATERIALS:
SHELL: 6061-T6 ALUMINUM PER SAE-AMS-QQ-A200/8, CADMIUM PLATED PER AMS-QQ-P-416.
INSULATOR AND BACKSHELL: PPS PER MIL-M-24519 GST-40F
SOCKET CONTACTS: C21000 COPPER ALLOY PER ASTM B36 GOLD PLATED PER ASTM B488.
24 AWG SOLID WIRE LEADS: TIN PLATED COPPER ALLOY PER A-A-59551, TYPE S.
HARDWARE: PASSIVATED STAINLESS STEEL IAW MIL-DTL-83513/5.

- 1. MARKING: "UMI", DATE CODE, AND UMI PART NUMBER

NOTES: UNLESS OTHERWISE SPECIFIED

QUALITY SYMBOLS	UNLESS SPECIFIED: ALL DIMENSIONS IN INCHES	SCALE NONE	DWG SIZE B	THIRD ANGLE PROJECTION	REVISE ON CAD ONLY
CRITICAL C	GENERAL TOLERANCES: 3 PLACE ±.005 2 PLACE ±.01 ANGULAR ±2°	DRAWN BY & DATE DW 2-27-14	CHECKED BY & DATE SEE ECN	TITLE: CIRCUIT CONNECTOR, RECEPTACLE, STYLE 1 BACKSHELL, SIZE 15, CA1R15S07-HT	
MAJOR ▲	ALL EXTERNAL SPECIFICATIONS REFERENCED ON THIS DRAWING SHALL BE TO THE LATEST REVISION IN EFFECT	APPROVED BY & DATE SEE ECN	CAD FILENAME SD-436420107.DGN	PART NO. 436420107	DRAWING NO. SD-436420107
NO SYMBOL MINOR DIMENSION	Ulti-Mate CAGE CODE 58967	THIS DRAWING CONTAINS INFORMATION THAT IS PROPRIETARY TO ULTI-MATE INCORPORATED AND SHOULD NOT BE USED WITHOUT WRITTEN PERMISSION.			SHEET NO. 1 OF 1

2 Uti-Mate Connector Inc.