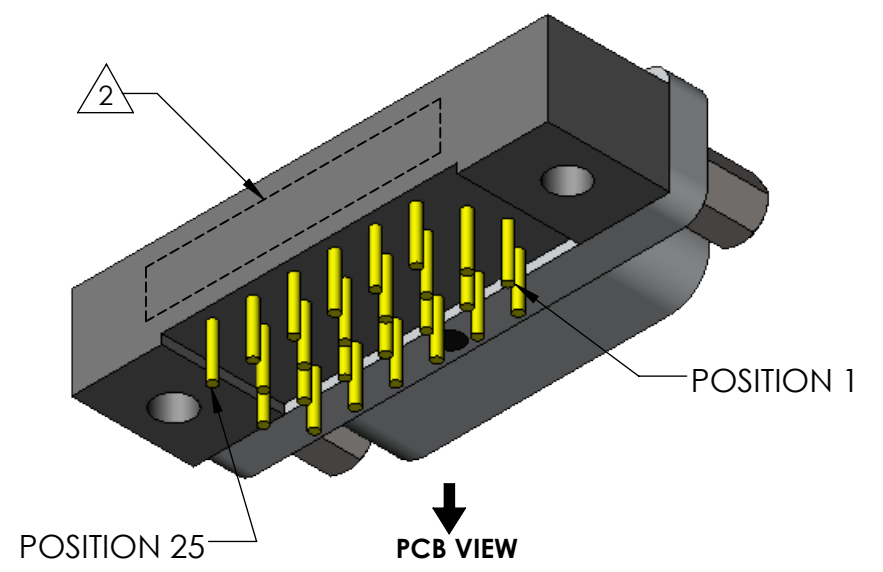
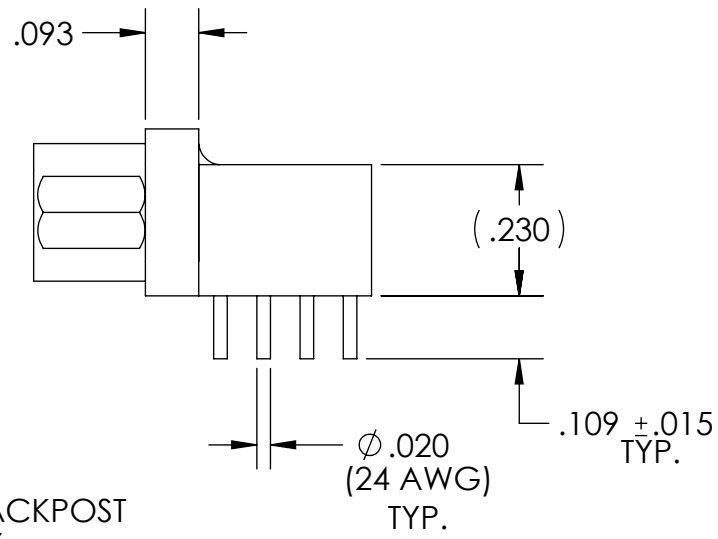
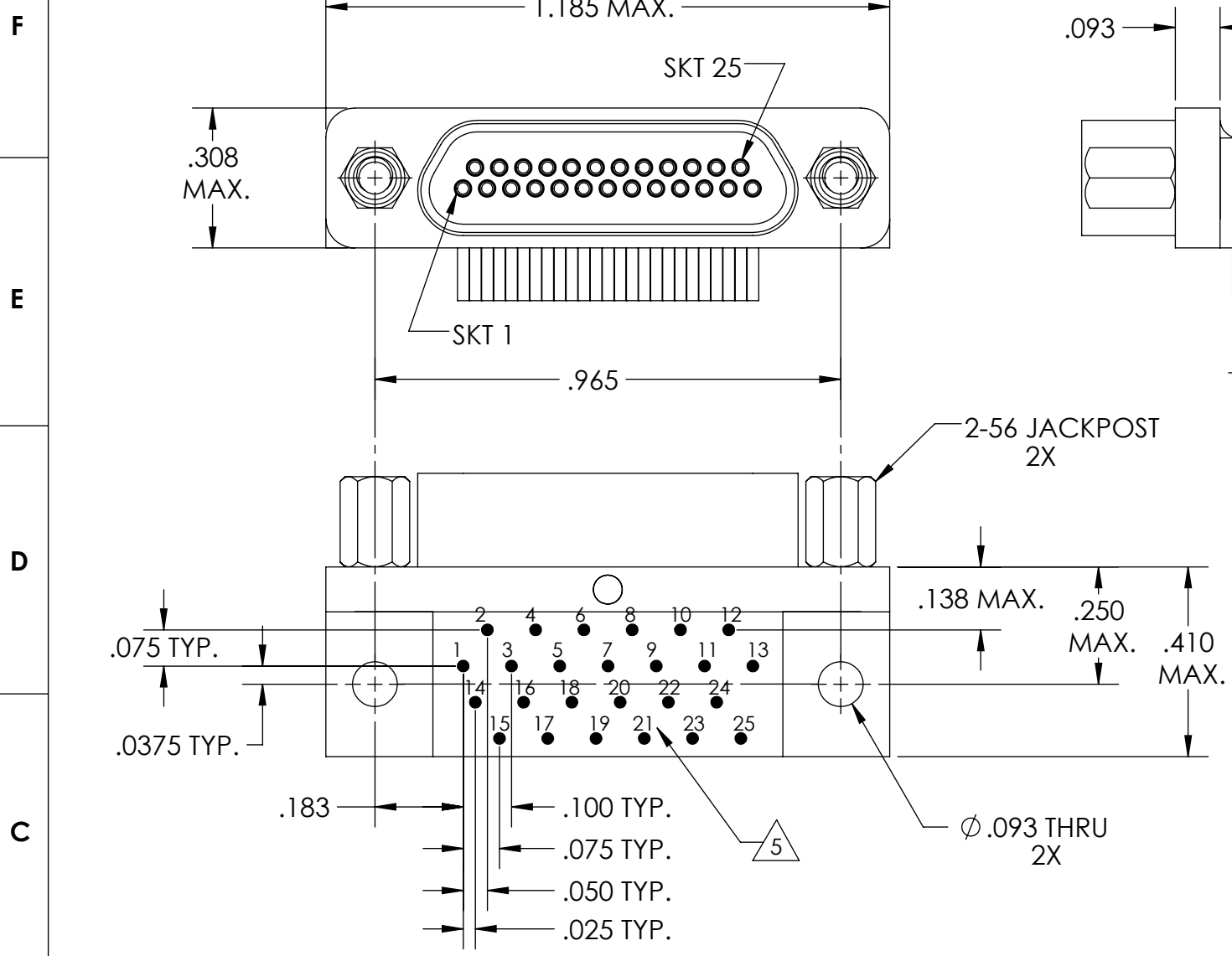
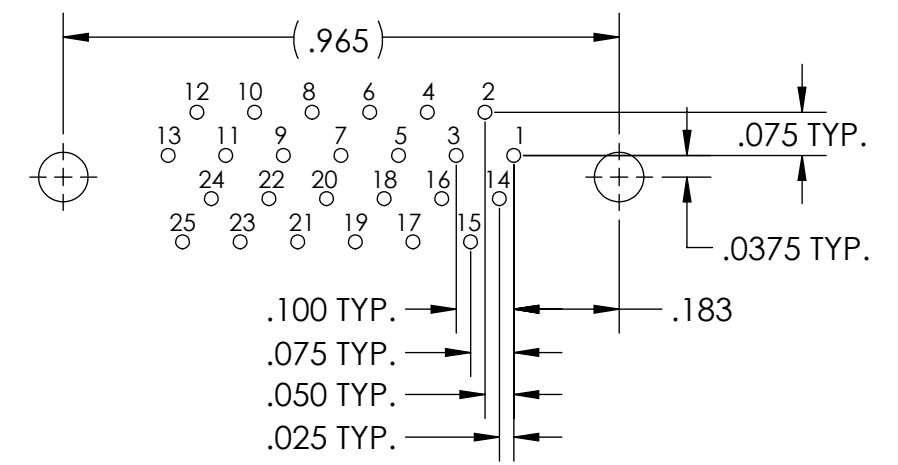
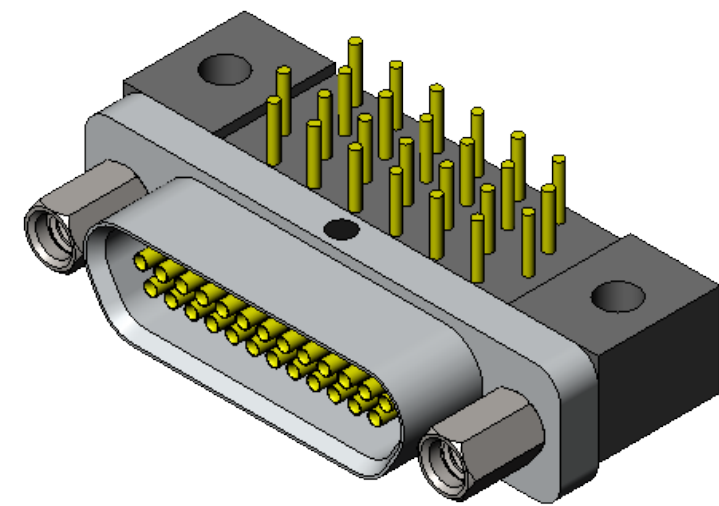


PART REV	DWG ISSUE	DATE	ECN NO.	APPVD BY	REL BY
-	-	9/20/18	UMI6881	DW	DW



PCB VIEW



RECOMMENDED PCB LAYOUT

- 6. CONTACT HEIGHTS ARE TO BE PER QA-STD-101.
- 5 NUMBERS, (LEAD LOCATIONS), ARE SHOWN FOR REFERENCE ONLY AND DO NOT APPEAR ON ACTUAL PART.
- 4. PERFORMANCE SPECIFICATIONS:  
CURRENT RATING: 3 AMP MAX.  
DWV: 600 VAC  
TEMPERATURE RATING: -55°C TO 125°C
- 3 MATERIALS:  
SHELL: 6061-T6 ALUMINUM PER AMS-QQ-A200/8, NICKEL PLATED PER AMS-2404  
INSULATOR/BACKSHELL: PPS PER MIL-M-24519 GST-40F, COLOR: BLACK  
SOCKET CONTACTS: C21000 COPPER ALLOY PER ASTM B36, GOLD PLATED PER ASTM B488  
24 AWG LEADS: GOLD PLATED COPPER ALLOY  
HARDWARE: PASSIVATED STAINLESS STEEL IAW MIL-DTL-83513/5
- 2 MARKING: "UMI", DATE CODE, UMI PART NUMBER, UMI WORK ORDER NUMBER

1. CONNECTOR ASSEMBLY IS IAW MIL-DTL-83513 UNLESS OTHERWISE SPECIFIED.  
**NOTES: UNLESS OTHERWISE SPECIFIED.**

QUALITY SYMBOLS CRITICAL MAJOR NO SYMBOLS = MINOR DIMENSIONS	UNLESS OTHERWISE SPECIFIED: ALL DIMENSIONS ARE IN INCHES	SCALE <b>3:1</b>	DWG SIZE <b>B</b>	THIRD ANGLE PROJECTION	<b>REVISE ON CAD ONLY</b>		
	GENERAL TOLERANCES:  3 PLACES ±.005 2 PLACES ±.01 ANGULAR ±2°	DRAWN BY & DATE <b>DU 9/20/18</b>		TITLE: <b>MICRO-D CIRCUIT CONNECTOR, CM8R25S07-S01-HT, HIGH-TEMP</b>			
		CHECKED BY & DATE <b>DW 9/20/18</b>		MATERIAL: <b>3</b>	ENG PROJECT #: <b>NONE</b>		
		APPROVED BY & DATE <b>DW 9/20/18</b>		PART NO. <b>436241817</b>	DRAWING NO. <b>SD-436241817</b>		
	ULTI-MATE CAGE CODE <b>58967</b>	CAD FILE NAME <b>SD-436241817.sliddrw</b>		THIS DRAWING CONTAINS INFORMATION THAT IS PROPRIETARY TO ULTI-MATE INCORPORATED AND SHOULD NOT BE USED WITHOUT WRITTEN PERMISSION.			