

PART REV	DWG ISSUE	DATE	ECN NO.	APPVD BY	REL BY
-	-	5/1/17	UMI6333	DW	DW
-	A	3/22/18	UMI6708	DW	DW

F

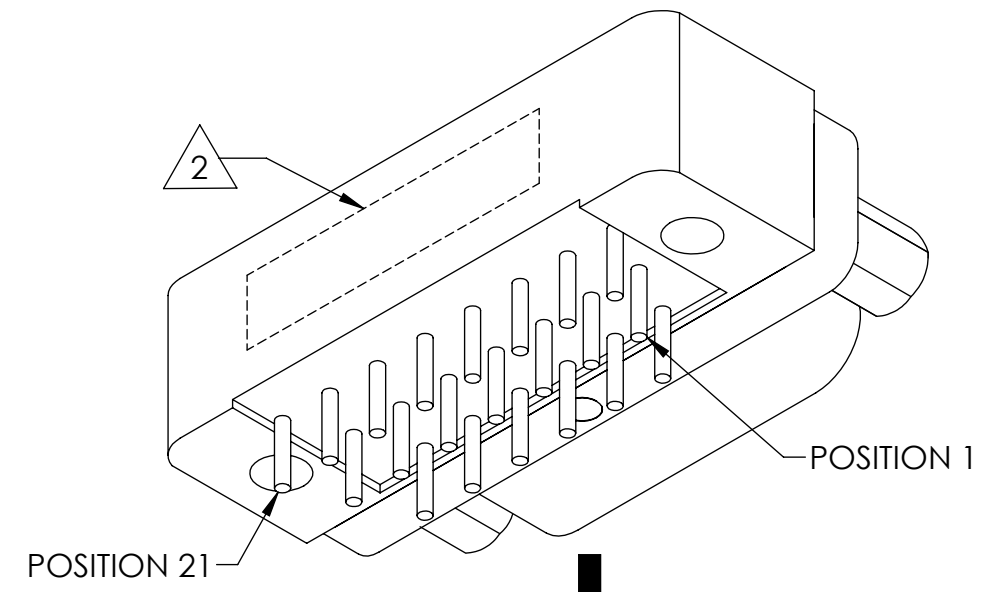
E

D

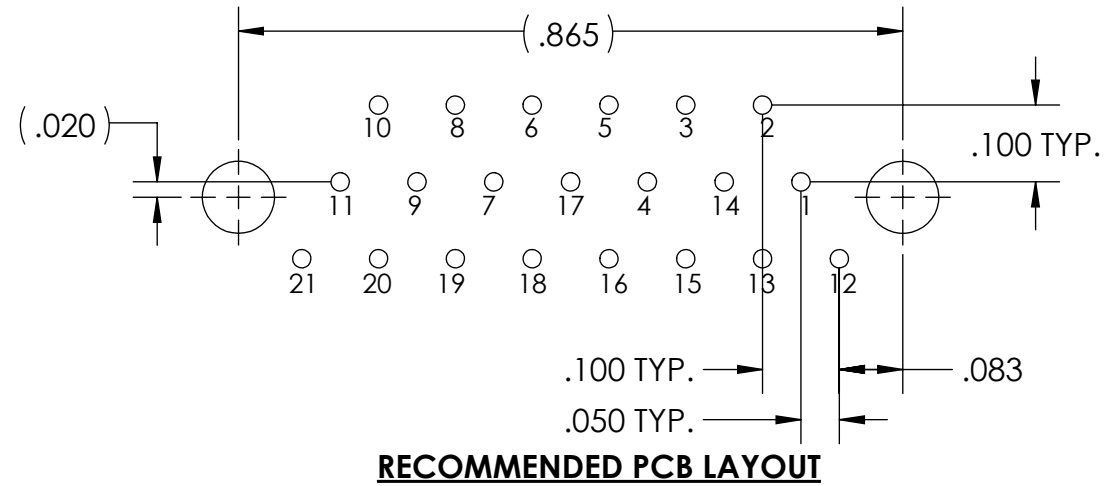
C

B

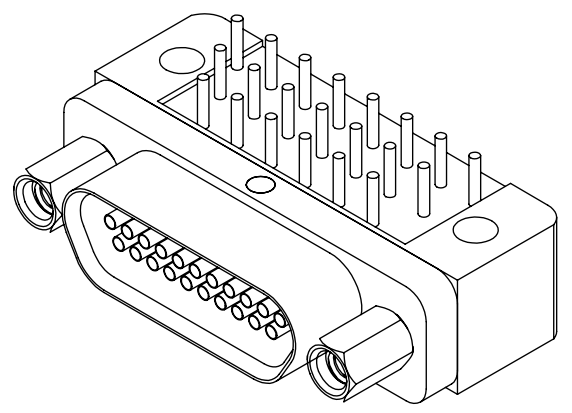
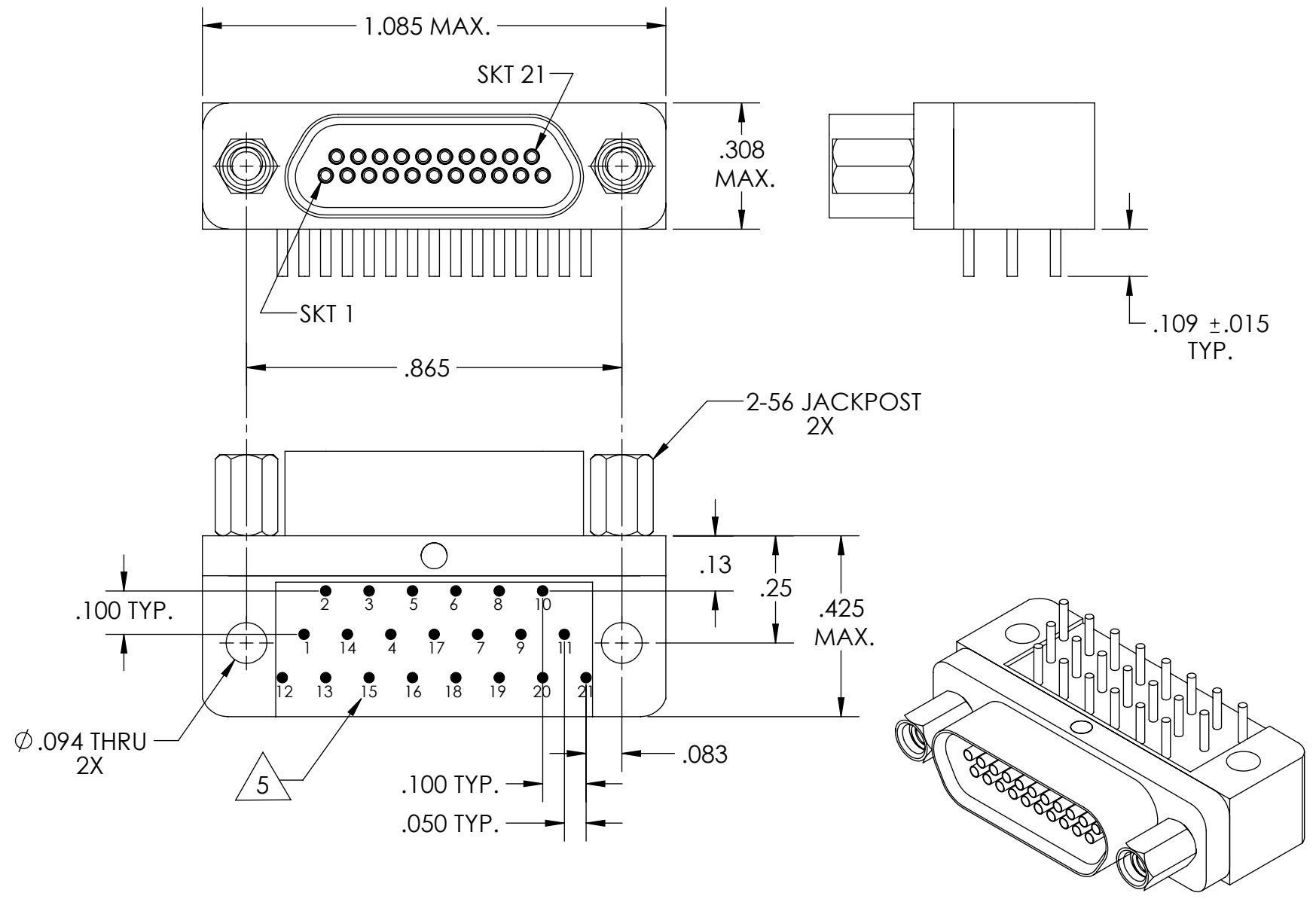
A



PCB VIEW



RECOMMENDED PCB LAYOUT



5 NUMBERS ARE REFERENCE ONLY AND DO NOT APPEAR ON ACTUAL PART.

4. PERFORMANCE SPECIFICATIONS:  
 CURRENT RATING: 3 AMPS MAX.  
 INSULATION RESISTANCE: 5000 MEGOHMS MIN.  
 DWV: 600 VAC  
 TEMPERATURE RATING: 200° C

3 MATERIALS:  
 SHELL: 6061-T6 ALUMINUM PER AMS-QQ-A200/8, NICKEL PLATED PER AMS-2404  
 INSULATOR/BACKSHELL: PPS PER MIL-M-24519 GST-40F, COLOR: BLACK  
 SOCKET CONTACTS: C21000 COPPER ALLOY PER ASTM B36, GOLD PLATED PER ASTM B488  
 24 AWG LEADS: COPPER ALLOY PER A-A-59551, TYPE S,  
 .000010 THK GOLD PLATED PER ASTM B488

HARDWARE: PASSIVATED STAINLESS STEEL IAW MIL-DTL-83513/5  
 INTERFACIAL SEAL: FLUOROSILICONE PER MIL-R-25988  
 MARKING: "UMI" DATE CODE, UMI PART NUMBER, UMI WORK ORDER NUMBER

1. CONNECTOR ASSEMBLY IS IAW MIL-DTL-83513 UNLESS OTHERWISE SPECIFIED.

NOTES: UNLESS OTHERWISE SPECIFIED.

QUALITY SYMBOLS CRITICAL MAJOR NO SYMBOLS = MINOR DIMENSIONS	UNLESS OTHERWISE SPECIFIED: ALL DIMENSIONS ARE IN INCHES	SCALE 3:1	DWG SIZE B	THIRD ANGLE PROJECTION	REVISE ON CAD ONLY		
	GENERAL TOLERANCES: 3 PLACES ±.005 2 PLACES ±.01 ANGULAR ±2°	DRAWN BY & DATE DU 5/1/17	TITLE: MICRO-D CIRCUIT CONNECTOR, CM1R21S07-S01-HT, HIGH-TEMP		MATERIAL: 3	ENG PROJECT #: NONE	
		CHECKED BY & DATE DW 5/1/17	PART NO. 436231117				
		APPROVED BY & DATE DW 5/1/17	CAD FILE NAME SD-436231117.SLDDRW		DRAWING NO. SD-436231117	PART REV. -	
	ULTI-MATE CAGE CODE 58967		THIS DRAWING CONTAINS INFORMATION THAT IS PROPRIETARY TO ULTI-MATE INCORPORATED AND SHOULD NOT BE USED WITHOUT WRITTEN PERMISSION.				