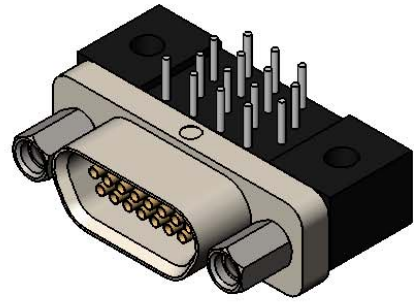
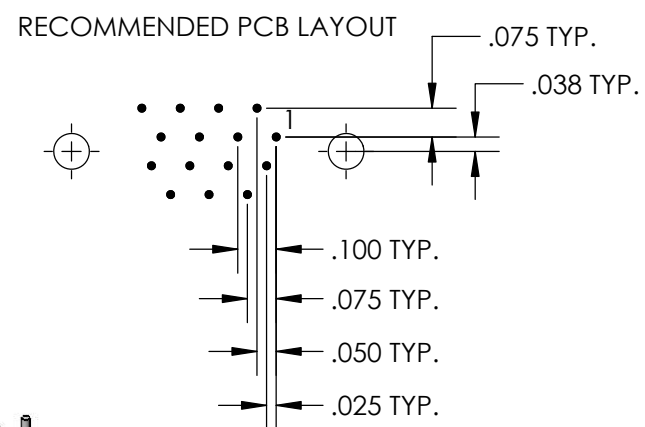
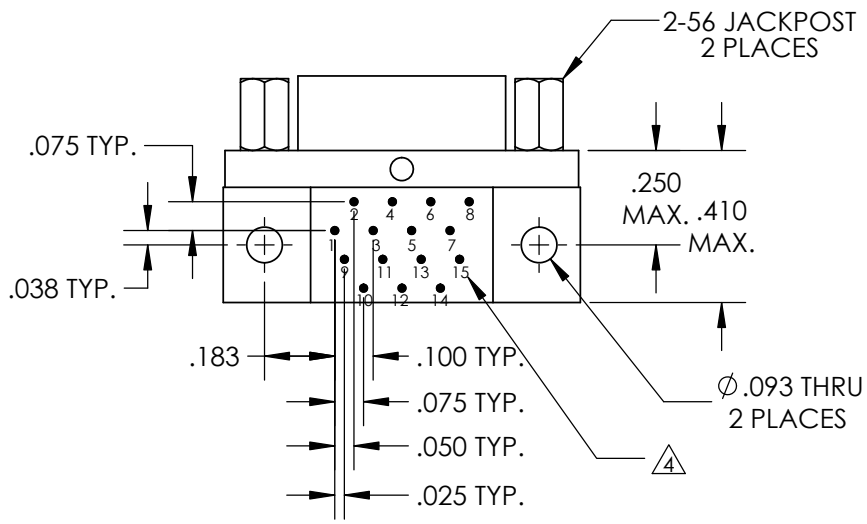
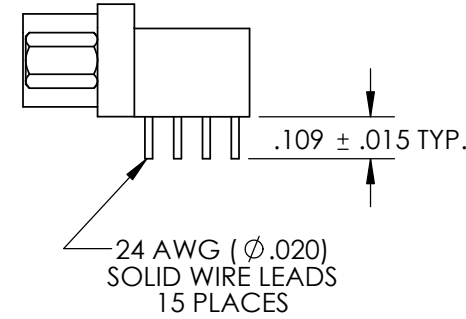
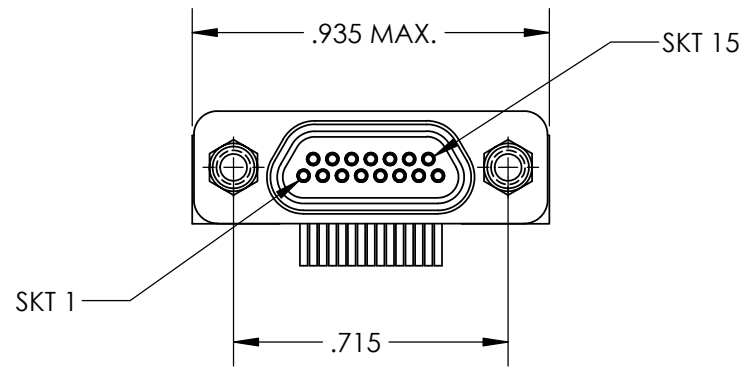


REVISIONS			
DWG. ISSUE	PART REV.	ECN NO.	DATE
-	-	UMI4742	10/05/2012
-	-		



4 NUMBERS ARE SHOWN FOR REFERENCE ONLY AND DO NOT APPEAR ON PART

3. PERFORMANCE SPECIFICATIONS:  
 CURRENT RATING: 3A MAX.  
 INSULATION RESISTANCE: 5000 MΩ MIN.  
 DWV: 600 VAC  
 TEMPERATURE RATING: 200 °C  
 CONTACT RESISTANCE: 8 mΩ MAX AT 2.5 AMPS

2 MATERIALS:  
 SHELL: 6061-T6 ALUMINUM PER AMS-QQ-A200/8, NICKEL PLATED PER AMS 2404  
 INSULATOR AND BACKSHELL: PPS PER MIL-M-24519 GST-40F, COLOR: BLK  
 SOCKET CONTACTS: C21000 BRASS ALLOY PER ASTM B36, GOLD PLATED PER ASTM B488  
 24 AWG LEADS: TIN PLATED COPPER ALLOY PER A-A-59551 TYPE S  
 HARDWARE: PASSIVATED STAINLESS STEEL IAW MIL-DTL-83513/5  
 INTERFACIAL SEAL: FLUOROSILICONE PER MIL-R-25988

1. MARKINGS: UMI, UMI PART NO., AND DATE CODE

NOTES: UNLESS OTHERWISE SPECIFIED

QUALITY SYMBOLS MAJOR CRITICAL SPC	UNLESS SPECIFIED: ALL DIMENSIONS IN INCHES
	GENERAL TOLERANCES: 3 PLACE ±.005 2 PLACE ±.01 ANGULAR ±2°
	DO NOT SCALE
	THIRD ANGLE PROJECTION
	Ulti-Mate CAGE CODE <b>58967</b>



WWW.UMI-C.COM

THIS DRAWING CONTAINS INFORMATION THAT IS PROPRIETARY TO ULTI-MATE INCORPORATED AND SHOULD NOT BE USED WITHOUT WRITTEN PERMISSION.

TITLE: MICRO-D CONNECTOR, CIRCUIT SEIRES, STYLE 8, SIZE 15 CM8R15S07-S01-HT	
DRAWN BY & DATE: J.BUZOIANU 10/05/2012	SCALE: <b>3:1</b>
MATERIAL:	SHEET: <b>1 OF 1</b>
CAD FILENAME: SD-436221817.slddrw	PART NO. 436221817
	REV. -