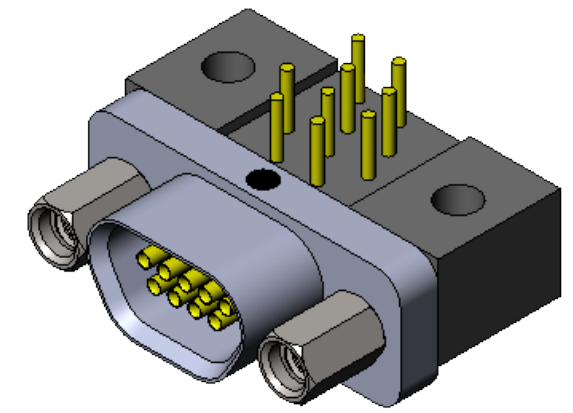
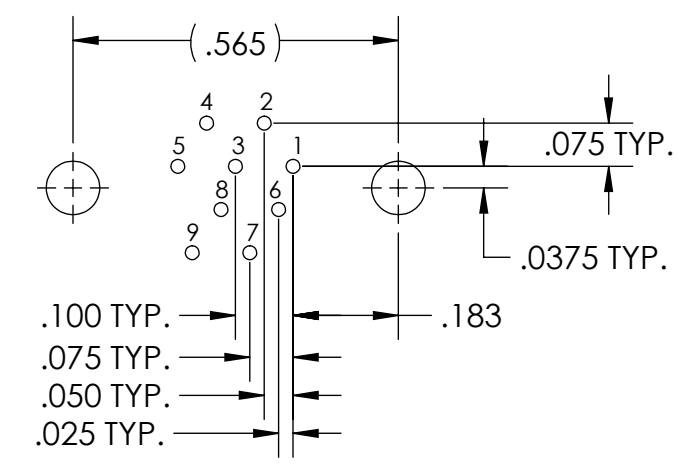
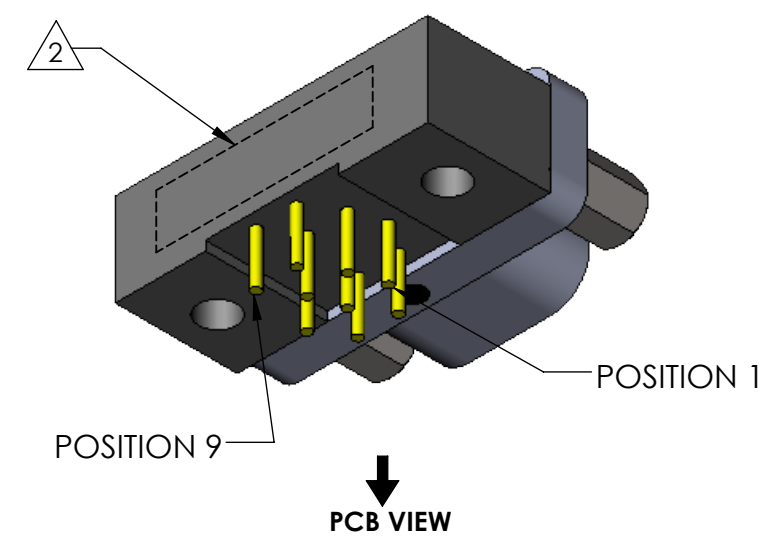
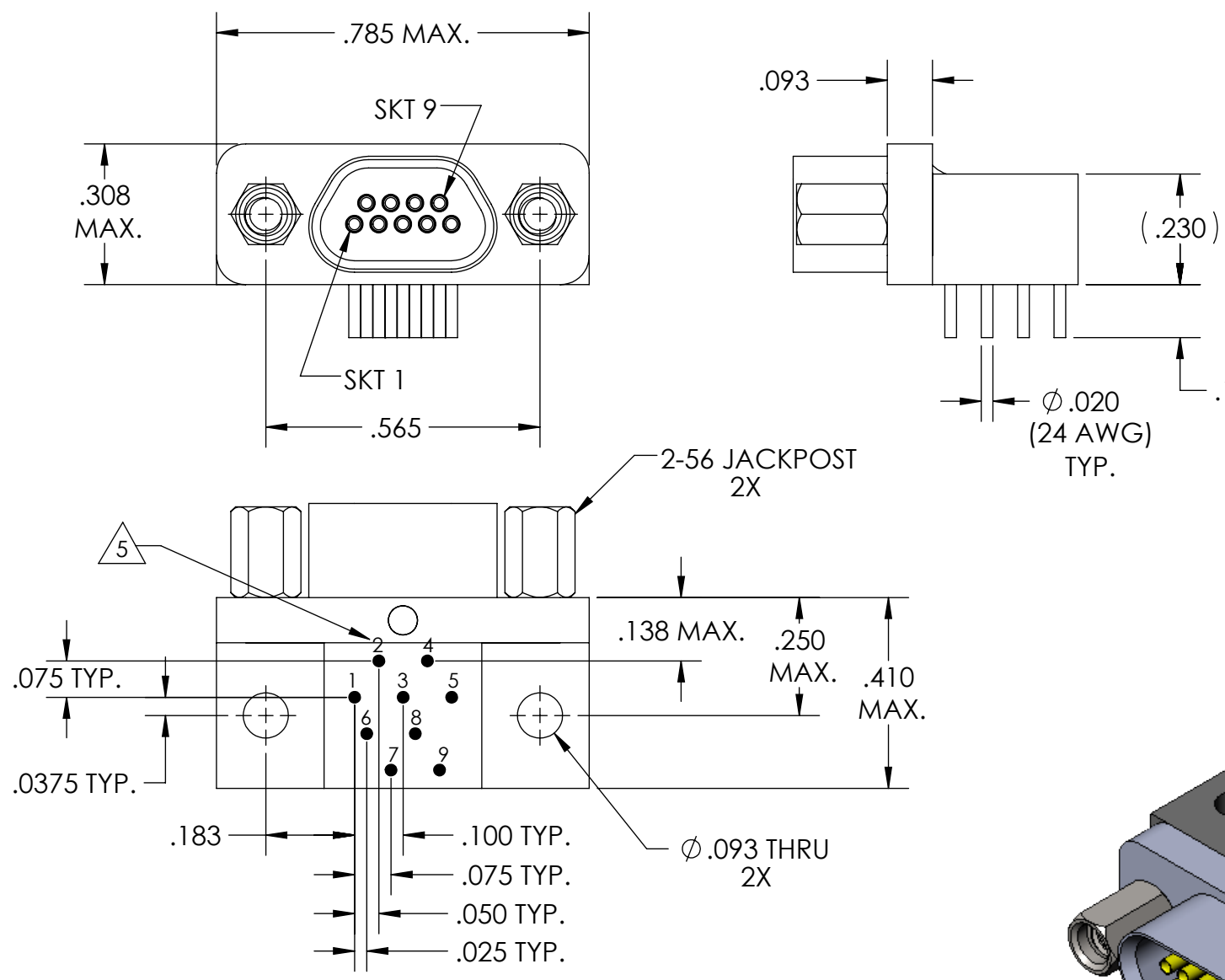


| PART REV | DWG ISSUE | DATE | ECN NO. | APPVD BY | REL BY |
|----------|-----------|---------|---------|----------|--------|
| - | - | 9/20/18 | UMI6881 | DW | DW |

F
E
D
C
B
A



6. CONTACT HEIGHTS ARE TO BE PER QA-STD-101.

5 NUMBERS, (LEAD LOCATIONS), ARE SHOWN FOR REFERENCE ONLY AND DO NOT APPEAR ON ACTUAL PART.

4. PERFORMANCE SPECIFICATIONS:
CURRENT RATING: 3 AMP MAX.
DWV: 600 VAC
TEMPERATURE RATING: -55°C TO 125°C

3 MATERIALS:
SHELL: 6061-T6 ALUMINUM PER AMS-QQ-A200/8, NICKEL PLATED PER AMS-2404
INSULATOR/BACKSHELL: PPS PER MIL-M-24519 GST-40F, COLOR: BLACK
SOCKET CONTACTS: C21000 COPPER ALLOY PER ASTM B36, GOLD PLATED PER ASTM B488
24 AWG LEADS: GOLD PLATED COPPER ALLOY
HARDWARE: PASSIVATED STAINLESS STEEL IAW MIL-DTL-83513/5

2 MARKING: "UMI", DATE CODE, UMI PART NUMBER, UMI WORK ORDER NUMBER

1. CONNECTOR ASSEMBLY IS IAW MIL-DTL-83513 UNLESS OTHERWISE SPECIFIED.

NOTES: UNLESS OTHERWISE SPECIFIED.

| | | | | | | | |
|---|---|---|----------------------|--|------------------------------------|--|--|
| QUALITY SYMBOLS CRITICAL MAJOR NO SYMBOLS = MINOR DIMENSIONS | UNLESS OTHERWISE SPECIFIED; ALL DIMENSIONS ARE IN INCHES | SCALE 3 : 1 | DWG SIZE B | THIRD ANGLE PROJECTION | REVISE ON CAD ONLY | | |
| | GENERAL TOLERANCES: 3 PLACES ±.005 2 PLACES ±.01 ANGULAR ±2° | DRAWN BY & DATE DU 9/20/18 | | TITLE: MICRO-D CIRCUIT CONNECTOR, CM8R09S07-S01-HT, HIGH-TEMP | | | |
| | | CHECKED BY & DATE DW 9/20/18 | | MATERIAL: 3 | ENG PROJECT #: NONE | | |
| | | APPROVED BY & DATE DW 9/20/18 | | PART NO. 436211817 | DRAWING NO. SD-436211817 | | |
| | ULTI-MATE CAGE CODE 58967 | CAD FILE NAME SD-436211817.slidrw | | THIS DRAWING CONTAINS INFORMATION THAT IS PROPRIETARY TO ULTI-MATE INCORPORATED AND SHOULD NOT BE USED WITHOUT WRITTEN PERMISSION. | | | |