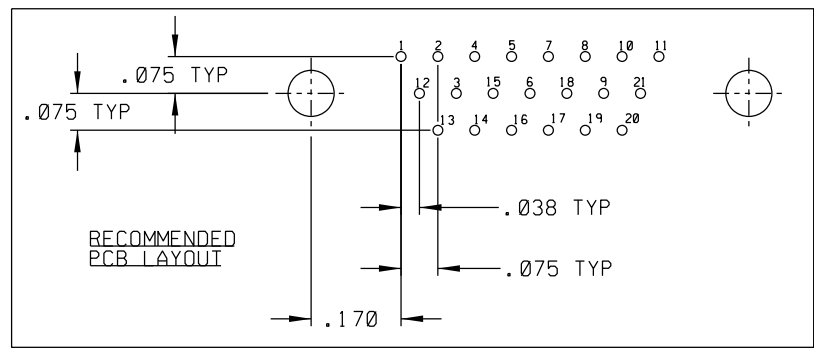
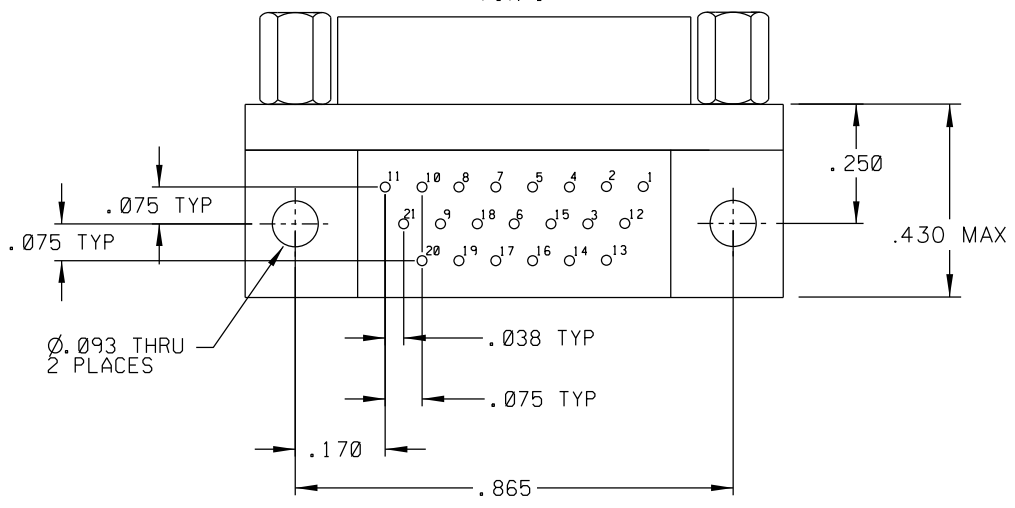
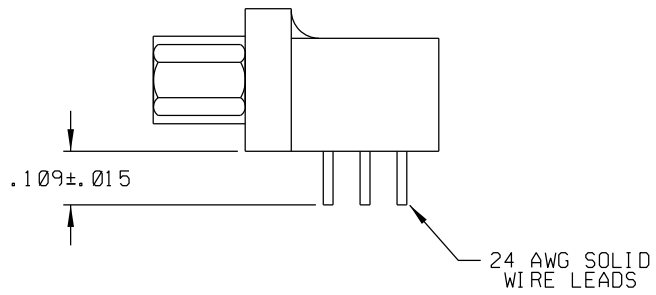
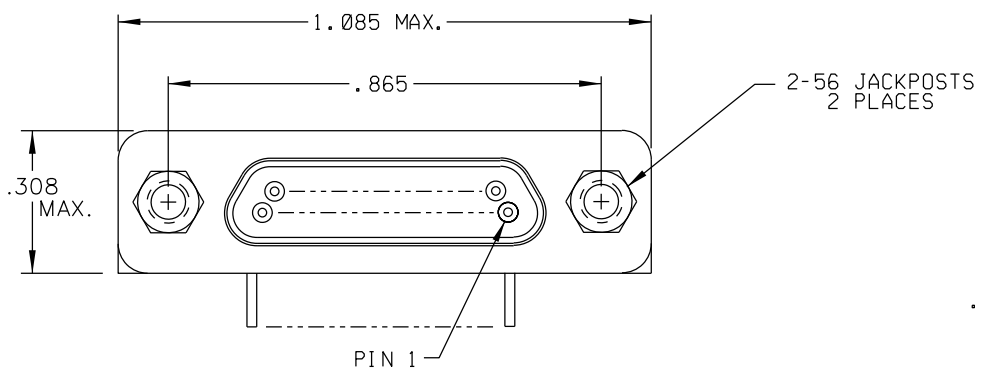


PART REV	DWG ISSUE	DATE	ECN NO.	APPVD BY	REL BY
-	-	8-28-12	UMI 4690	DW	DW
A	A	9-7-12	UMI 4704	DW	DW



- 4. TEMPERATURE RATING 200°C.
- 3. NUMBERS ON BACKSHELL ARE SHOWN FOR REFERENCE ONLY AND DO NOT APPEAR ON PART
- 2 MATERIALS:  
SHELL: 6061-T6 ALUMINUM PER SAE-AMS QQ-A200/8, NICKEL PLATED PER AMS 2404.  
INSULATOR AND BACKSHELL: PPS PER MIL-M-24519 GST-40F.  
PIN CONTACTS: BERYLLIUM COPPER ALLOY, GOLD PLATED PER ASTM B488.  
24 AWG SOLID LEADS: TIN PLATED COPPER ALLOY PER A-A-59551, TYPE S.  
HARDWARE: PASSIVATED STAINLESS STEEL IAW MIL-DTL-83513/5.
- 1. MARKING: "UMI", DATE CODE, AND UMI PART NUMBER

NOTES: UNLESS OTHERWISE SPECIFIED

QUALITY SYMBOLS CRITICAL C MAJOR NO SYMBOL MINOR DIMENSION	UNLESS SPECIFIED: ALL DIMENSIONS IN INCHES	SCALE NONE	DWG SIZE B	THIRD ANGLE PROJECTION	REVISE ON CAD ONLY
	GENERAL TOLERANCES: 3 PLACE ± .005 2 PLACE ± .01 ANGULAR ± 2°	DRAWN BY & DATE DU 8-28-12	TITLE: CIRCUIT CONNECTOR, PLUG, STYLE 9 BACKSHELL, SIZE 21, CM9R21P07-S01 HIGH-TEMP		
	Uti-Mate CAGE CODE <b>58967</b>	CHECKED BY & DATE SEE ECN	MATERIAL: 2 Uti-Mate Connector Inc.		
		APPROVED BY & DATE SEE ECN	CAD FILENAME SD-436131317.DGN	PART NO. 436131317	DRAWING NO. SD-436131317
THIS DRAWING CONTAINS INFORMATION THAT IS PROPRIETARY TO ULTI-MATE INCORPORATED AND SHOULD NOT BE USED WITHOUT WRITTEN PERMISSION.					
					PART REV A