

PART REV	DWG ISSUE	DATE	ECN NO.	APPVD BY	REL BY
-	-	11/6/15	UMI5795	DW	DW

F

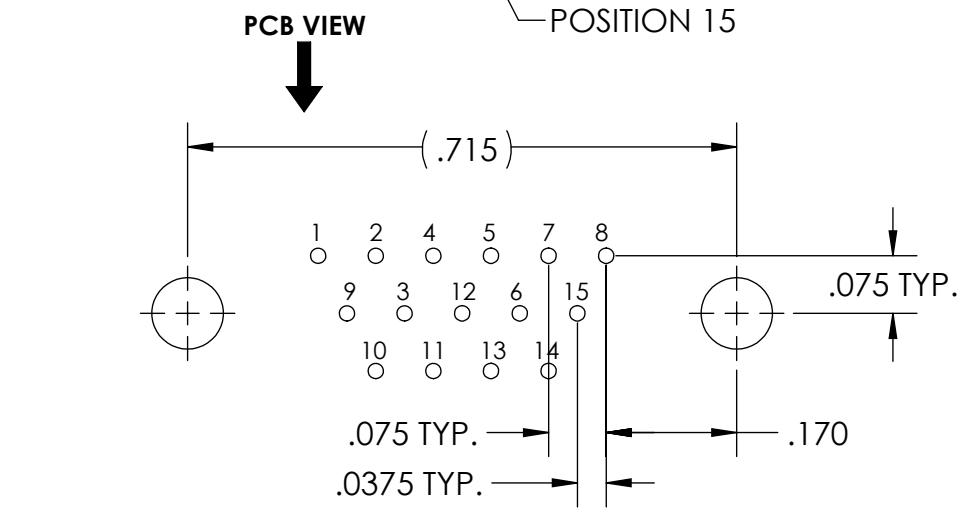
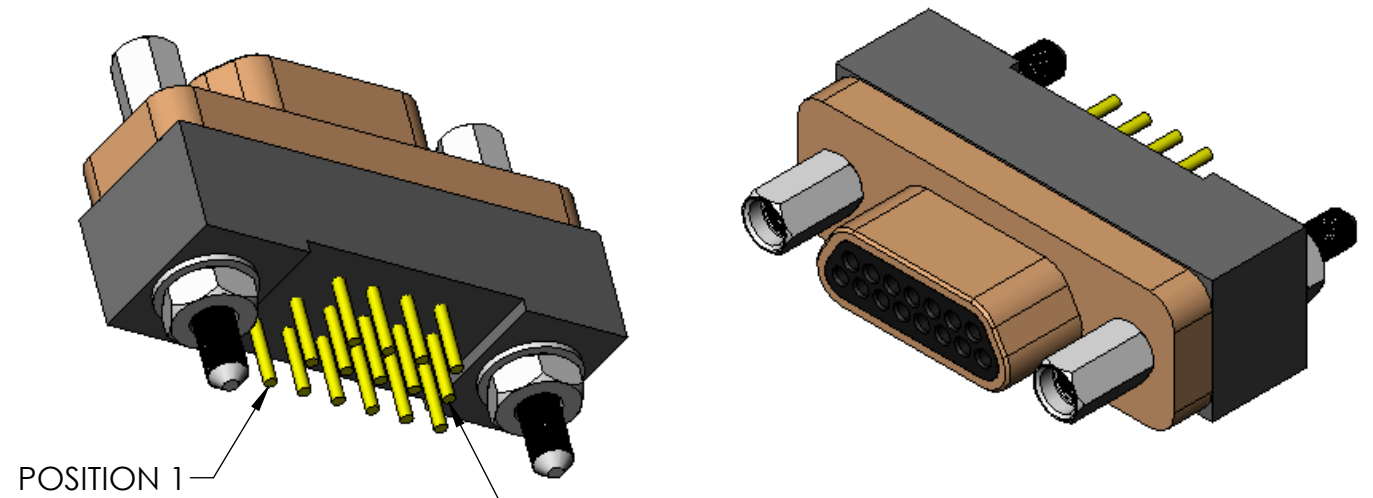
E

D

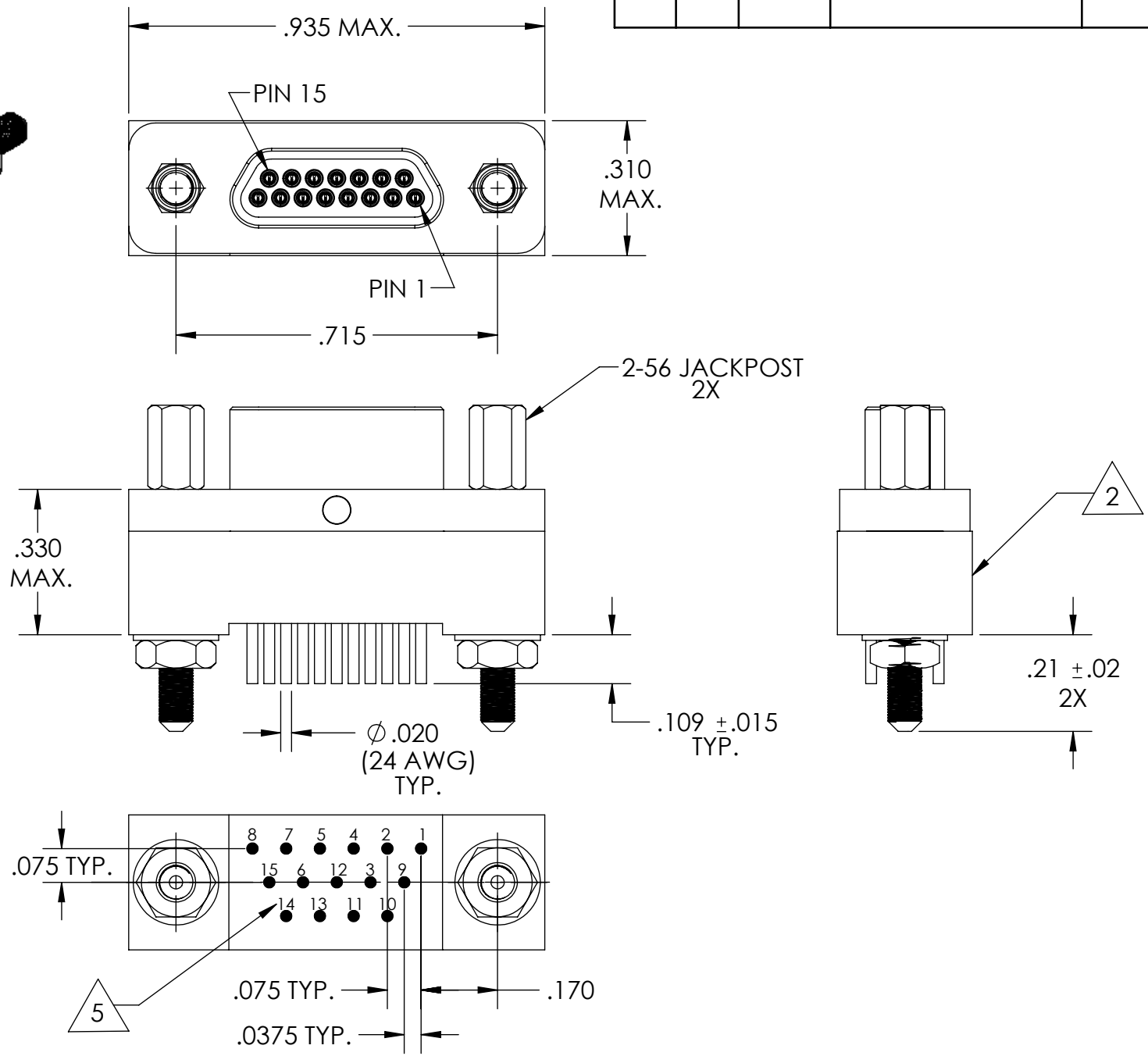
C

B

A



RECOMMENDED PCB LAYOUT



- 5 LEAD LOCATION NUMBERS ARE REF. ONLY AND DO NOT APPEAR ON ACTUAL PART.
- 4. PERFORMANCE SPECIFICATIONS (AT AMBIENT TEMPERATURE):
 CURRENT RATING: 3 AMPS MAX.
 INSULATION RESISTANCE: 5000 MEGOHMS MIN.
 DWV: 600 VAC
 TEMPERATURE RATING: 200° C

- 3 MATERIALS:
 SHELL: 6061-T6 ALUMINUM PER AMS-QQ-A200/8, CADMIUM PLATED PER AMS-QQ-P-416
 INSULATOR & BACKSHELL: PPS PER MIL-M-24519 GST-40F, COLOR: BLACK
 PIN CONTACTS: C17410 BERYLLIUM COPPER PER ASTM B768, GOLD PLATED PER ASTM B488
 24 AWG LEADS: GOLD PLATED COPPER ALLOY
 HARDWARE: PASSIVATED STAINLESS STEEL IAW MIL-DTL-83513/5

- 2 MARKING: "UMI", DATE CODE, UMI PART NUMBER
- 1. CONNECTOR ASSEMBLY IS IAW MIL-DTL-83513 UNLESS OTHERWISE SPECIFIED.

NOTES: UNLESS OTHERWISE SPECIFIED.

QUALITY SYMBOLS CRITICAL MAJOR NO SYMBOLS = MINOR DIMENSIONS	UNLESS OTHERWISE SPECIFIED: ALL DIMENSIONS ARE IN INCHES	SCALE 3:1	DWG SIZE B	THIRD ANGLE PROJECTION	REVISE ON CAD ONLY	
	GENERAL TOLERANCES: 3 PLACES ±.005 2 PLACES ±.01 ANGULAR ±2°	DRAWN BY & DATE DU 11/6/15	TITLE: MICRO-D CIRCUIT CONNECTOR, CM7R15P07-HT, HIGH-TEMP, CADMIUM PLATED, .109 LEAD LENGTH			
	ULTI-MATE CAGE CODE 58967	CHECKED BY & DATE DW 11/6/15	MATERIAL: 3	ENG PROJECT #: NONE	Ulti-Mate Connector Inc.	
		APPROVED BY & DATE DW 11/6/15	PART NO. 436120917	DRAWING NO. SD-436120917	SHEET NO. 1 of 1	
		CAD FILE NAME SD-436120917.SLDDRW	THIS DRAWING CONTAINS INFORMATION THAT IS PROPRIETARY TO ULTI-MATE INCORPORATED AND SHOULD NOT BE USED WITHOUT WRITTEN PERMISSION.			