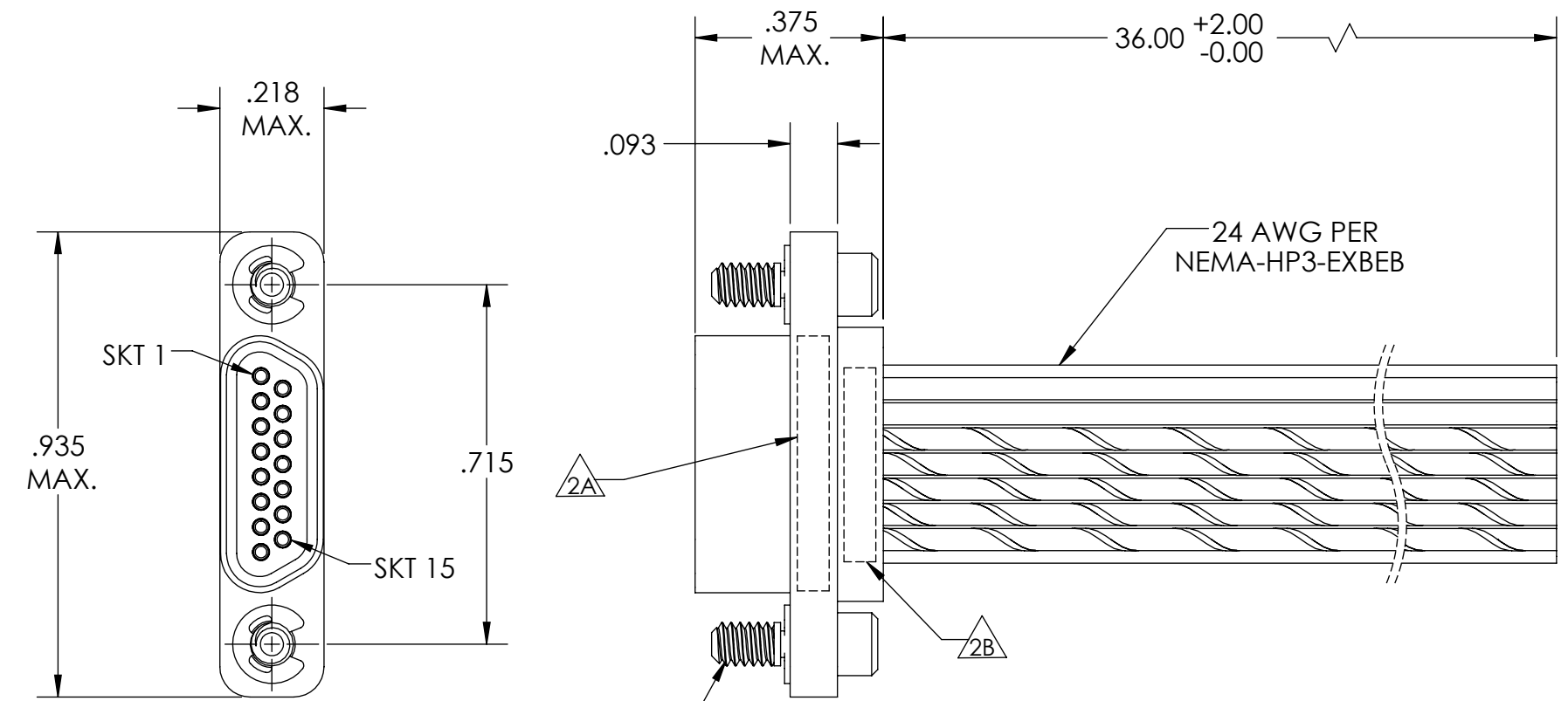
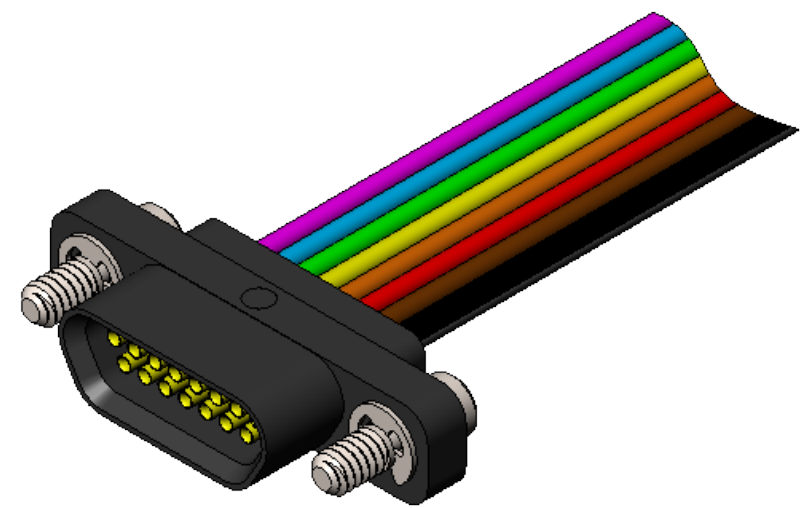


PART REV	DWG ISSUE	DATE	ECN NO.	APPVD BY	REL BY
-	-	11/26/17	UMI6566	DW	DW

F
E
D
C
B
A



1	BLK
2	BRN
3	RED
4	ORG
5	YEL
6	GRN
7	BLU
8	VIO
9	GRY
10	WHT
11	W/BLK
12	W/BRN
13	W/RED
14	W/ORG
15	W/YEL



- 5. CONTACT HEIGHTS TO BE PER QA-STD-101.
- 4. PERFORMANCE SPECIFICATIONS (AT AMBIENT TEMPERATURE):
 CURRENT RATING: 3 AMPS MAX.
 INSULATION RESISTANCE: 5000 MEGOHMS MIN.
 DWV: 600 VAC
 TEMPERATURE RATING: 200° C

3 MATERIALS:
 SHELL: 6061-T6 ALUMINUM PER AMS-QQ-A200/8, BLACK ANODIZED PLATED PER MIL-A-8625, TYPE II, CLASS II
 INSULATOR: PPS PER MIL-M-24519 GST-40F, COLOR: BLACK
 SOCKET CONTACTS: C21000 COPPER ALLOY PER ASTM B36, GOLD PLATED PER ASTM B488
 WIRE: 24 AWG PER NEMA-HP3-EXBEB, COLOR CODE PER MIL-STD-681
 HARDWARE: PASSIVATED STAINLESS STEEL IAW MIL-DTL-83513/5

- 2. MARKING: $\triangle 2A$ "UMI", UMI PART NUMBER
 $\triangle 2B$ DATE CODE, UMI WORK ORDER NUMBER

1. CONNECTOR ASSEMBLY IS IAW MIL-DTL-83513 UNLESS OTHERWISE SPECIFIED.
NOTES: UNLESS OTHERWISE SPECIFIED.

QUALITY SYMBOLS CRITICAL $\triangle C$ MAJOR \blacktriangledown NO SYMBOLS = MINOR DIMENSIONS	UNLESS OTHERWISE SPECIFIED: ALL DIMENSIONS ARE IN INCHES	SCALE 3:1	DWG SIZE B	THIRD ANGLE PROJECTION	REVISE ON CAD ONLY		
	GENERAL TOLERANCES: 3 PLACES $\pm .005$ 2 PLACES $\pm .01$ ANGULAR $\pm 2^\circ$	DRAWN BY & DATE DU 11/26/17		TITLE: MICRO-D CONNECTOR ASSEMBLY, AR15S02-24E5-36.0-S03-HT			
		CHECKED BY & DATE DW 11/26/17		MATERIAL: $\triangle 3$	ENG PROJECT #: NONE		
		APPROVED BY & DATE DW 11/26/17			PART NO. 434423492	DRAWING NO. SD-434423492	
	ULTI-MATE CAGE CODE 58967	CAD FILE NAME SD-434423492.SLDDRW	THIS DRAWING CONTAINS INFORMATION THAT IS PROPRIETARY TO ULTI-MATE INCORPORATED AND SHOULD NOT BE USED WITHOUT WRITTEN PERMISSION.				PART REV. -