

10

9

8

7

6

5

4

3

2

SD-434411182

PART REV	DWG ISSUE	DATE	ECN NO.	APPVD BY	REL BY
-	-	5/8/19	UMI7141	DU	DW

F

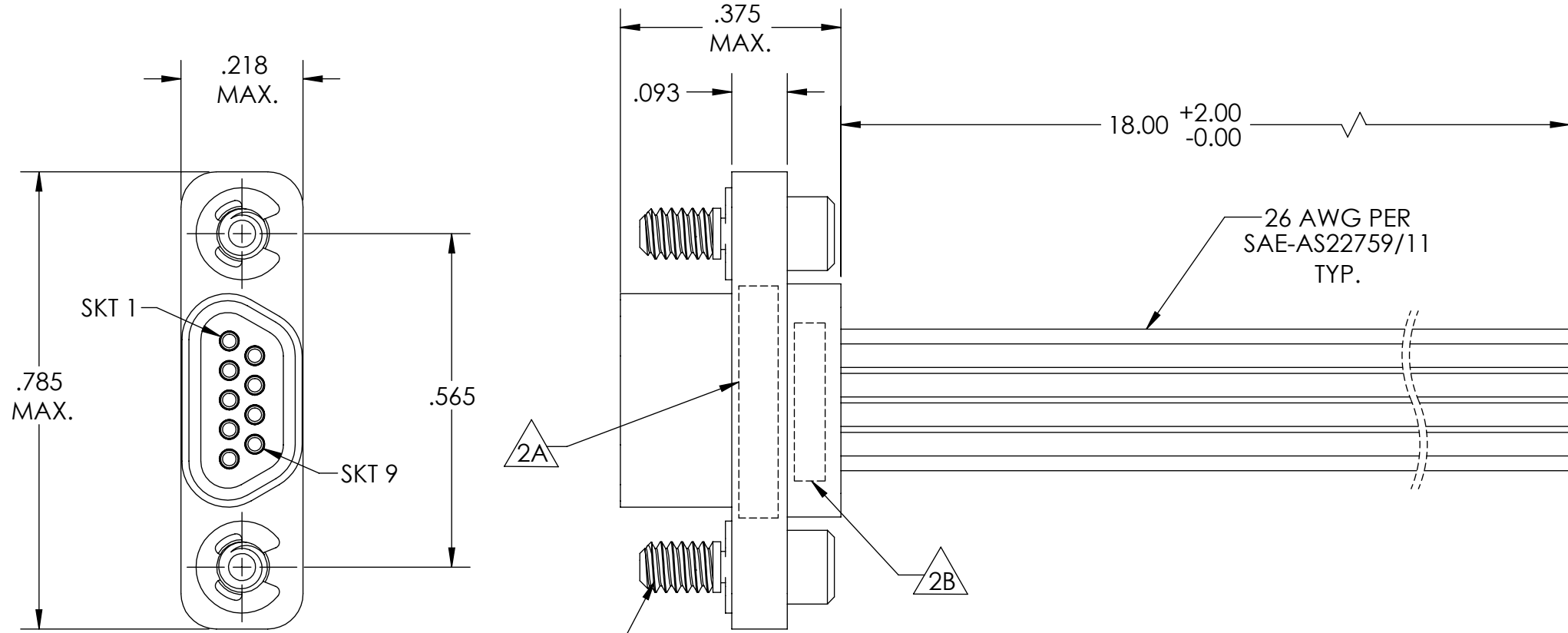
E

D

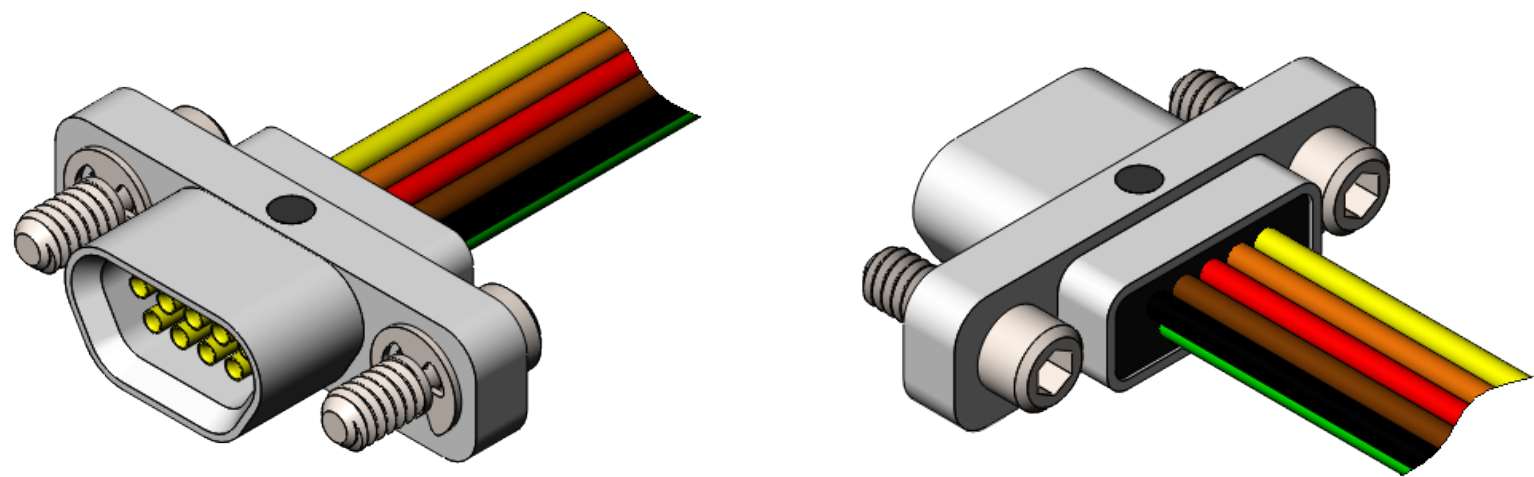
C

B

A



1	BLK
2	BRN
3	RED
4	ORG
5	YEL
6	GRN
7	BLU
8	VIO
9	GRY



- 5. CONTACT HEIGHTS ARE TO BE PER QA-STD-101.
- 4. PERFORMANCE SPECIFICATIONS:
CURRENT RATING: 3 AMPS MAX.
DWV: 600 VAC
TEMPERATURE RATING: -55°C TO 200°C

3 MATERIALS:
SHELL: 6061-T6 ALUMINUM PER AMS-Q-Q-A200/8, NICKEL PLATED PER AMS-2404
INSULATOR: PPS PER MIL-M-24519 GST-40F, COLOR: BLACK
SOCKET CONTACTS: C21000 COPPER ALLOY PER ASTM B36, GOLD PLATED PER ASTM B488
HARDWARE: PASSIVATED STAINLESS STEEL IAW MIL-DTL-83513/5
WIRE: 26 AWG PER SAE-AS22759/11, COLOR CODE PER MIL-STD-681

- 2. MARKING: "UMI", UMI PART NUMBER
 DATE CODE, UMI WORK ORDER NUMBER

1. CONNECTOR ASSEMBLY IS IAW MIL-DTL-83513 UNLESS OTHERWISE SPECIFIED.

NOTES: UNLESS OTHERWISE SPECIFIED.

QUALITY SYMBOLS CRITICAL MAJOR NO SYMBOLS = MINOR DIMENSIONS	UNLESS OTHERWISE SPECIFIED: ALL DIMENSIONS ARE IN INCHES	SCALE 4:1	DWG SIZE B	THIRD ANGLE PROJECTION	REVISE ON CAD ONLY		
	GENERAL TOLERANCES: 3 PLACES ±.005 2 PLACES ±.01 ANGULAR ±2°	DRAWN BY & DATE DU 5/8/19		TITLE: LOW-PROFILE MICRO-D CONNECTOR ASSEMBLY, AR09S02-26M5-18.0-S01-HT, HIGH-TEMP			
	ULTI-MATE CAGE CODE 58967	CHECKED BY & DATE DW 5/8/19		MATERIAL: 	ENG PROJECT #: NONE		
		APPROVED BY & DATE DW 5/8/19		PART NO. 434411182	DRAWING NO. SD-434411182	SHEET NO. 1 of 1	
		CAD FILE NAME SD-434411182.SLDDRW		THIS DRAWING CONTAINS INFORMATION THAT IS PROPRIETARY TO ULTI-MATE INCORPORATED AND SHOULD NOT BE USED WITHOUT WRITTEN PERMISSION.			