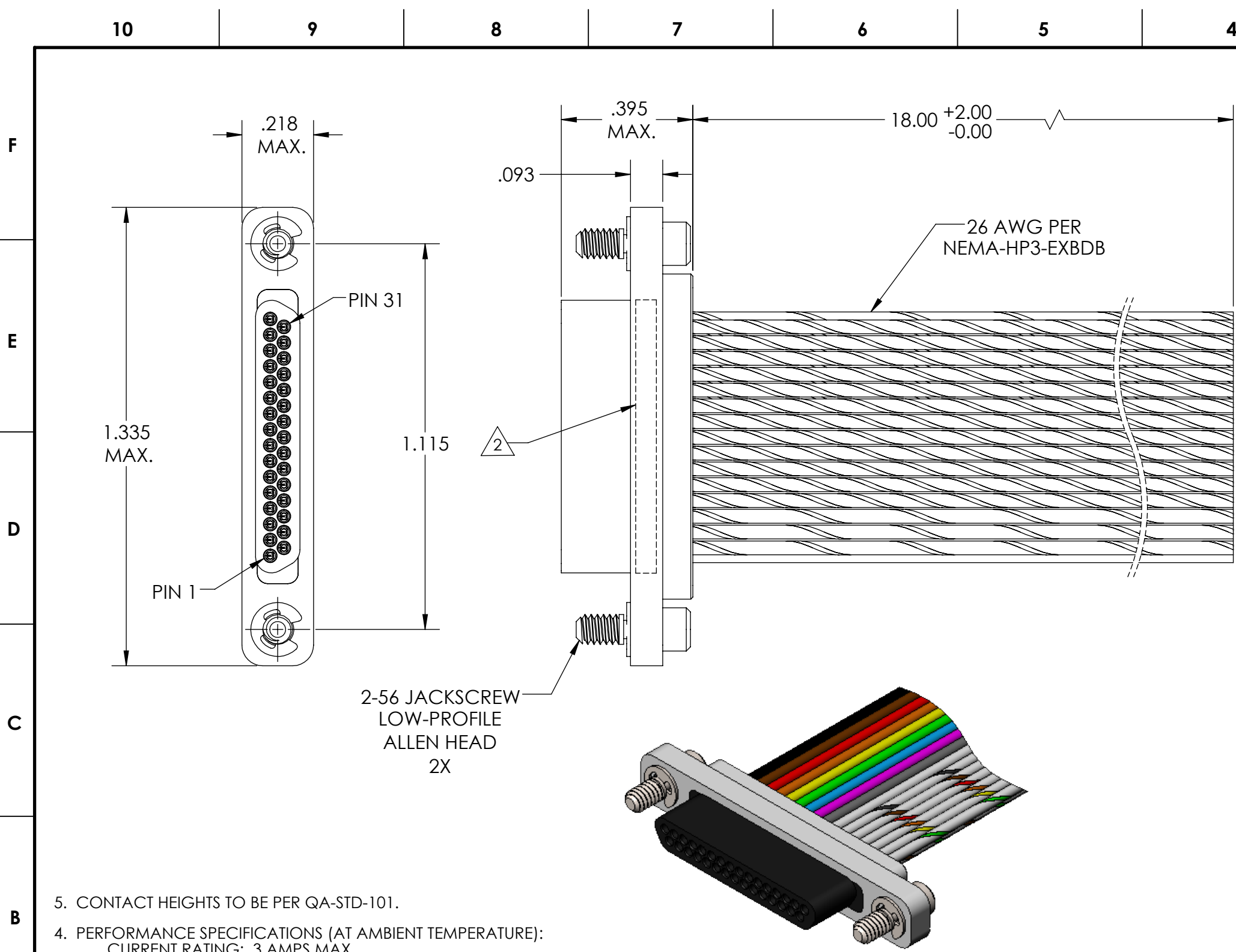


PART REV	DWG ISSUE	DATE	ECN NO.	APPVD BY	REL BY
-	-	11/27/17	UMI6566	DW	DW



1	BLK	16	W/GRN
2	BRN	17	W/BLU
3	RED	18	W/VIO
4	ORG	19	W/GRY
5	YEL	20	W/BLK/BRN
6	GRN	21	W/BLK/RED
7	BLU	22	W/BLK/ORG
8	VIO	23	W/BLK/YEL
9	GRY	24	W/BLK/GRN
10	WHT	25	W/BLK/BLU
11	W/BLK	26	W/BLK/VIO
12	W/BRN	27	W/BLK/GRY
13	W/RED	28	W/BRN/RED
14	W/ORG	29	W/BRN/ORG
15	W/YEL	30	W/BRN/YEL
		31	W/BRN/GRN

- 5. CONTACT HEIGHTS TO BE PER QA-STD-101.
- 4. PERFORMANCE SPECIFICATIONS (AT AMBIENT TEMPERATURE):  
 CURRENT RATING: 3 AMPS MAX.  
 INSULATION RESISTANCE: 5000 MEGOHMS MIN.  
 DWV: 600 VAC  
 TEMPERATURE RATING: 200° C

3 MATERIALS:  
 SHELL: 6061-T6 ALUMINUM PER AMS-QQ-A200/8, NICKEL PLATED PER AMS-2404  
 INSULATOR: PPS PER MIL-M-24519 GST-40F, COLOR: BLACK  
 PIN CONTACTS: C17410 BERYLLIUM COPPER PER ASTM B768, GOLD PLATED PER ASTM B488  
 WIRE: 26 AWG PER NEMA-HP3-EXBDB, COLOR CODE PER MIL-STD-681  
 HARDWARE: PASSIVATED STAINLESS STEEL IAW MIL-DTL-83513/5

2 MARKING: "UMI", DATE CODE, UMI PART NUMBER, UMI WORK ORDER NUMBER

1. CONNECTOR ASSEMBLY IS IAW MIL-DTL-83513 UNLESS OTHERWISE SPECIFIED.

**NOTES: UNLESS OTHERWISE SPECIFIED.**

QUALITY SYMBOLS CRITICAL  MAJOR  NO SYMBOLS = MINOR DIMENSIONS	UNLESS OTHERWISE SPECIFIED: ALL DIMENSIONS ARE IN INCHES	SCALE <b>3:1</b>	DWG SIZE <b>B</b>	THIRD ANGLE PROJECTION	<b>REVISE ON CAD ONLY</b>	
	GENERAL TOLERANCES:  3 PLACES ±.005 2 PLACES ±.01 ANGULAR ±2°	DRAWN BY & DATE <b>DU 11/27/17</b>	TITLE: <b>MICRO-D CONNECTOR ASSEMBLY, APR31P02-26E5-18.0-S01-HT</b>			
	ULTI-MATE CAGE CODE <b>58967</b>	CHECKED BY & DATE <b>DW 11/27/17</b>	MATERIAL: 		ENG PROJECT #: <b>NONE</b>	
		APPROVED BY & DATE <b>DW 11/27/17</b>	PART NO. <b>434351072</b>	DRAWING NO. <b>SD-434351072</b>	SHEET NO. <b>1 of 1</b>	
		CAD FILE NAME <b>SD-434351072.SLDDRW</b>	THIS DRAWING CONTAINS INFORMATION THAT IS PROPRIETARY TO ULTI-MATE INCORPORATED AND SHOULD NOT BE USED WITHOUT WRITTEN PERMISSION.			