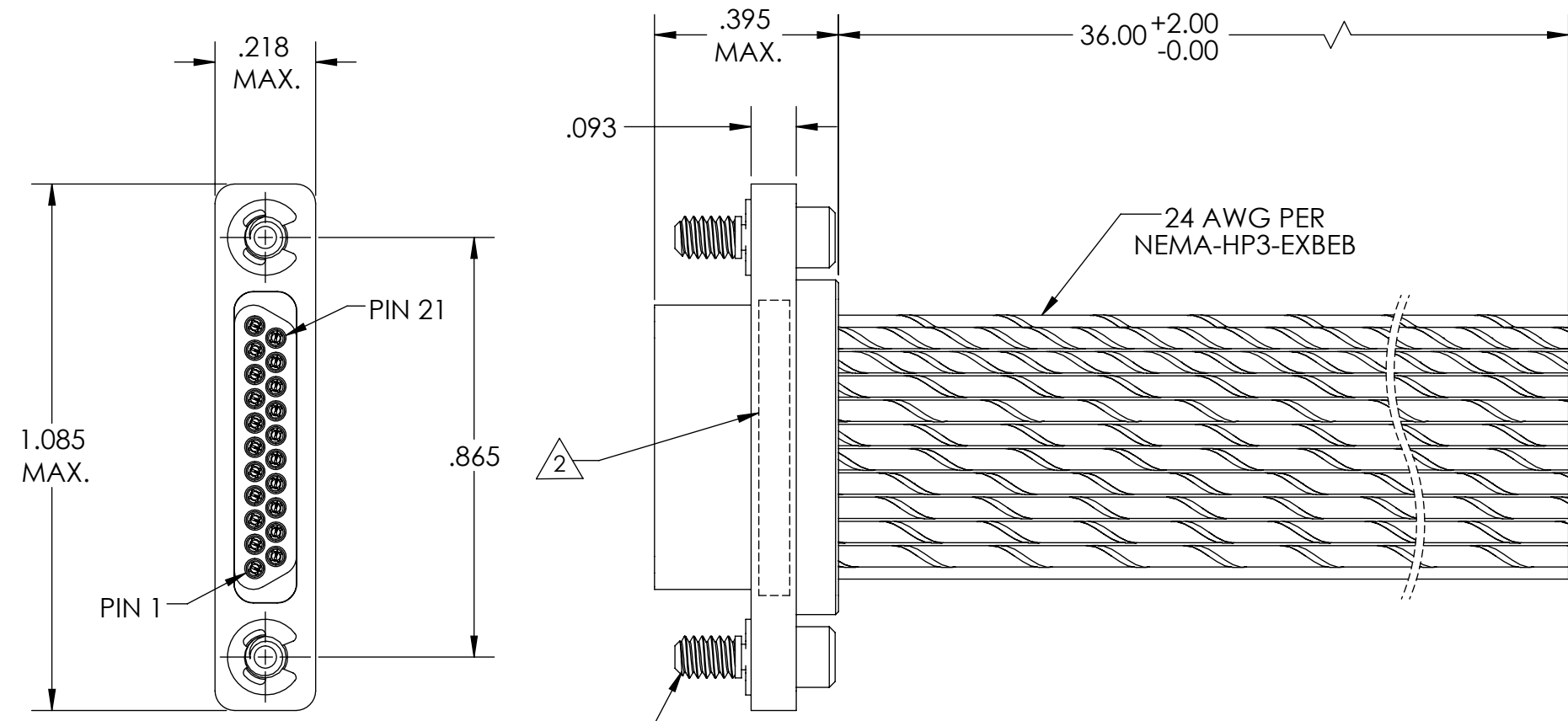
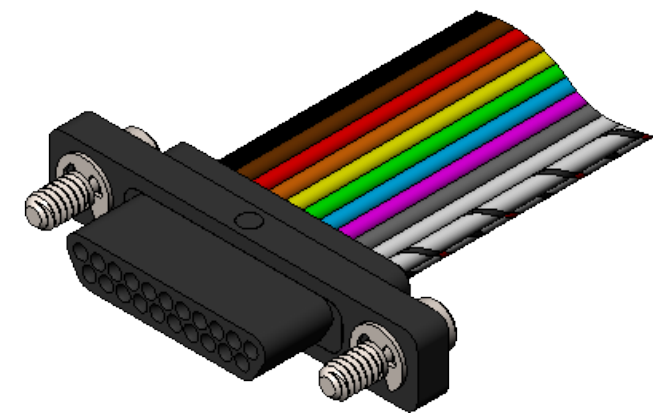


PART REV	DWG ISSUE	DATE	ECN NO.	APPVD BY	REL BY
-	-	11/27/17	UMI6566	DW	DW

F
E
D
C
B
A



2-56 JACKSCREW
LOW-PROFILE
ALLEN HEAD
2X



1	BLK
2	BRN
3	RED
4	ORG
5	YEL
6	GRN
7	BLU
8	VIO
9	GRY
10	WHT
11	W/BLK
12	W/BRN
13	W/RED
14	W/ORG
15	W/YEL
16	W/GRN
17	W/BLU
18	W/VIO
19	W/GRY
20	W/BLK/BRN
21	W/BLK/RED

- 5. CONTACT HEIGHTS TO BE PER QA-STD-101.
- 4. PERFORMANCE SPECIFICATIONS (AT AMBIENT TEMPERATURE):
CURRENT RATING: 3 AMPS MAX.
INSULATION RESISTANCE: 5000 MEGOHMS MIN.
DWV: 600 VAC
TEMPERATURE RATING: 200° C

3 MATERIALS:
SHELL: 6061-T6 ALUMINUM PER AMS-QQ-A200/8, BLACK ANODIZED PLATED PER MIL-A-8625, TYPE II, CLASS II
INSULATOR: PPS PER MIL-M-24519 GST-40F, COLOR: BLACK
PIN CONTACTS: C17410 BERYLLIUM COPPER PER ASTM B768, GOLD PLATED PER ASTM B488
WIRE: 24 AWG PER NEMA-HP3-EXBEB, COLOR CODE PER MIL-STD-681
HARDWARE: PASSIVATED STAINLESS STEEL IAW MIL-DTL-83513/5

2 MARKING: "UMI", DATE CODE, UMI PART NUMBER, UMI WORK ORDER NUMBER

1. CONNECTOR ASSEMBLY IS IAW MIL-DTL-83513 UNLESS OTHERWISE SPECIFIED.

NOTES: UNLESS OTHERWISE SPECIFIED.

QUALITY SYMBOLS CRITICAL MAJOR NO SYMBOLS = MINOR DIMENSIONS	UNLESS OTHERWISE SPECIFIED: ALL DIMENSIONS ARE IN INCHES	SCALE 3:1	DWG SIZE B	THIRD ANGLE PROJECTION	REVISE ON CAD ONLY
	GENERAL TOLERANCES: 3 PLACES ±.005 2 PLACES ±.01 ANGULAR ±2°	DRAWN BY & DATE DU 11/27/17		TITLE: MICRO-D CONNECTOR ASSEMBLY, APR21P02-24E5-36.0-S03-HT	
	ULTI-MATE CAGE CODE 58967	CHECKED BY & DATE DW 11/27/17		MATERIAL: 3	ENG PROJECT #: NONE
		APPROVED BY & DATE DW 11/27/17			
		CAD FILE NAME SD-434333492.SLDDRW	PART NO. 434333492	DRAWING NO. SD-434333492	SHEET NO. 1 of 1

THIS DRAWING CONTAINS INFORMATION THAT IS PROPRIETARY TO ULTI-MATE INCORPORATED AND SHOULD NOT BE USED WITHOUT WRITTEN PERMISSION.