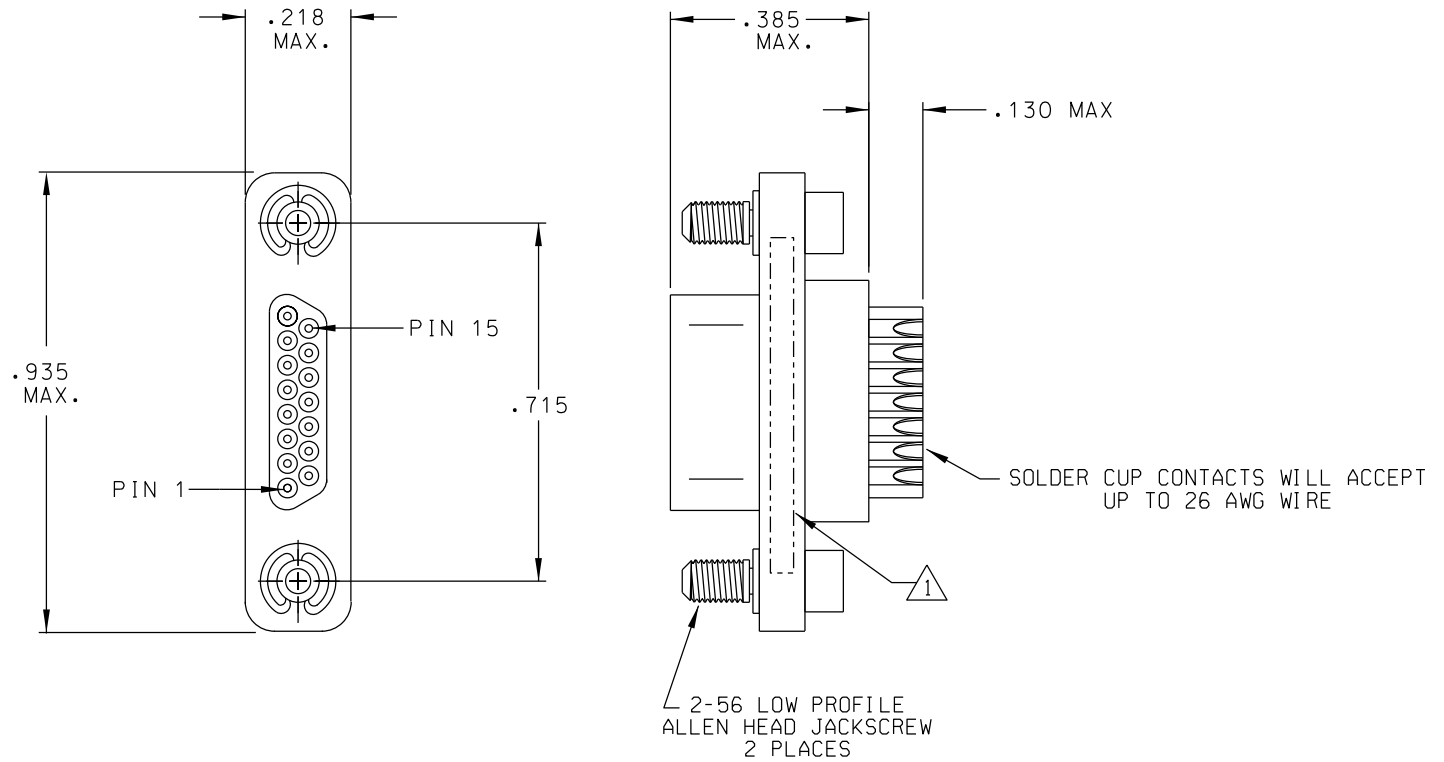


PART REV	DWG ISSUE	DATE	ECN NO.	APPVD BY	REL BY
-	-	3-26-14	UMI 5276	DW	DW



3. PERFORMANCE SPECIFICATIONS:  
 CURRENT RATING: 3A MAX AT AMBIENT TEMPERATURE  
 INSULATION RESISTANCE: 5000 MEGOHMS MIN.  
 DWV: 600 VAC  
 TEMPERATURE RATING: 200°C

2. MATERIALS:  
 SHELL: 6061-T6 ALUMINUM PER SAE-AMS-QQ-A200/8,  
 CADMIUM PLATED PER AMS-QQ-P-416.  
 INSULATOR: PPS PER MIL-M-24519 GST-40F, COLOR: BLACK.  
 PIN CONTACT: C17400 BERYLLIUM COPPER PER ASTM B888,  
 GOLD PLATED PER ASTM B488.  
 HARDWARE: PASSIVATED STAINLESS STEEL IAW MIL-DTL-83513/5.

1. MARKING: UMI, DATE CODE, UMI P/N.

NOTES: UNLESS OTHERWISE SPECIFIED.

SUPERSEDES SD-434320002 REV 1

QUALITY SYMBOLS CRITICAL $\nabla$ C/0 MAJOR $\nabla$ 0 NO SYMBOL + MINOR DIMENSION $\nabla$	UNLESS SPECIFIED: ALL DIMENSIONS IN INCHES GENERAL TOLERANCES: 3 PLACE $\pm .005$ 2 PLACE $\pm .01$ ANGULAR $\pm 2^\circ$	SCALE 4:1 DWG SIZE B	THIRD ANGLE PROJECTION	REVISE ON CAD ONLY		
	ALL EXTERNAL SPECIFICATIONS REFERENCED ON THIS DRAWING SHALL BE TO THE LATEST REVISION IN EFFECT	DRAWN BY & DATE DW 2-10-14 CHECKED BY & DATE SEE ECN	TITLE: MICRO-D LOW-PROFILE PLUG, SIZE 15, SOLDER CUP CONTACTS, APRI 5N02-HT		MATERIAL: $\triangle$ 2 Uti-Mate Connector Inc.	
	Uti-Mate CAGE CODE 58967	APPROVED BY & DATE SEE ECN	CAD FILENAME SD-434320002.DGN	PART NO. 434320002	DRAWING NO. SD-434320002	SHEET NO. 1 OF 1
	THIS DRAWING CONTAINS INFORMATION THAT IS PROPRIETARY TO ULTI-MATE INCORPORATED AND SHOULD NOT BE USED WITHOUT WRITTEN PERMISSION.			PART REV -		