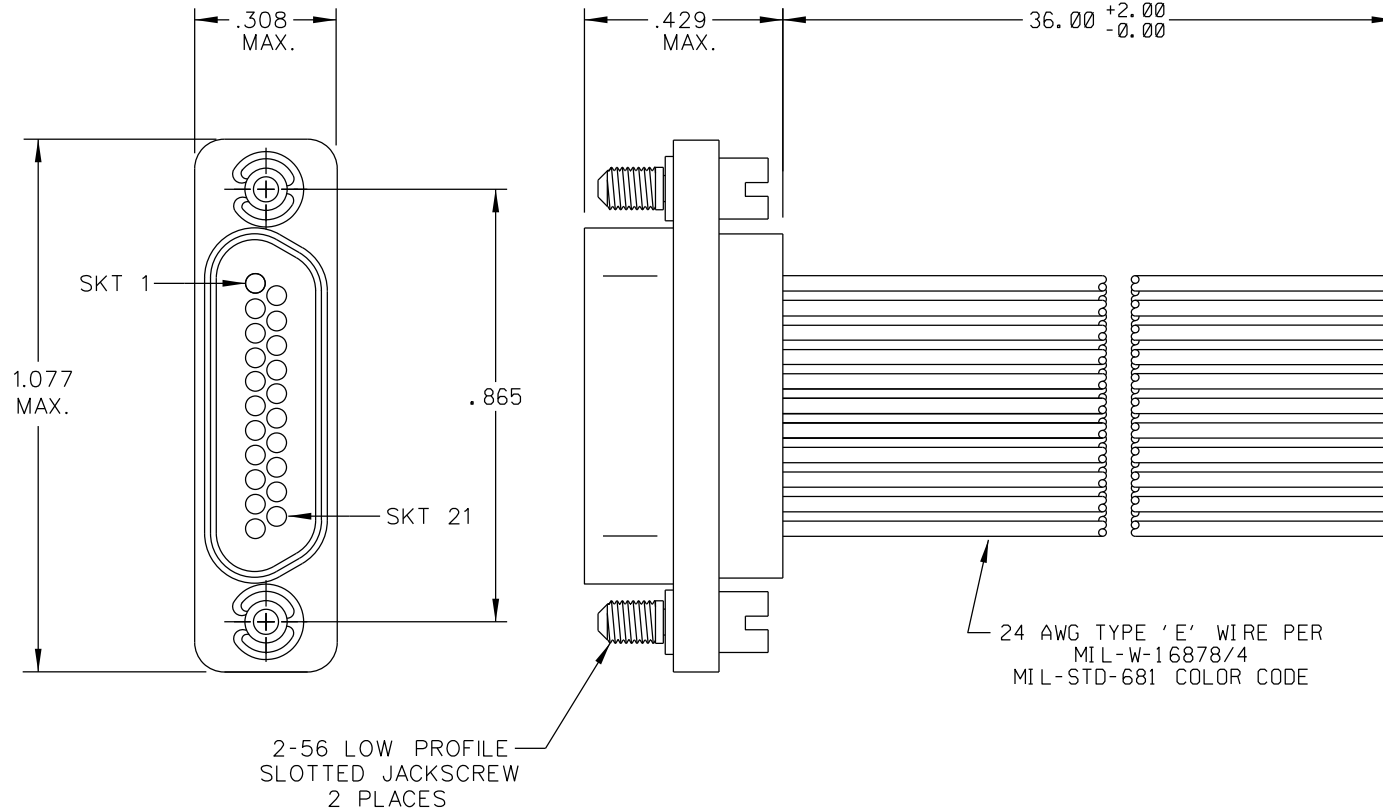


PART REV	DWG ISSUE	DATE	ECN NO.	APPVD BY	REL BY
-	-	8-28-12	UMI4690	DW	DW



1	BLK
2	BRN
3	RED
4	ORG
5	YEL
6	GRN
7	BLU
8	VIO
9	GRY
10	WHT
11	W/BLK
12	W/BRN
13	W/RED
14	W/ORG
15	W/YEL
16	W/GRN
17	W/BLU
18	W/VIO
19	W/GRY
20	W/BLK/BRN
21	W/BLK/RED

3. TEMPERATURE RATING 200°C.

- 2 MATERIALS:
 SHELL: 6061-T6 ALUMINUM PER AMS-QQ-A200/8, NICKEL PLATED PER AMS 2404.
 INSULATOR: PPS PER MIL-M-24519 GST-40F, COLOR: BLACK.
 SOCKET CONTACT: C21000 BRASS ALLOY PER ASTM B36, GOLD PLATED PER ASTM B488.
 HARDWARE: PASSIVATED STAINLESS STEEL IAW MIL-DTL-83513/5.
 INTERFACIAL SEAL: FLOUROSILICONE PER MIL-R-25988.

1. MARKINGS: "UMI", UMI DATE CODE, AND UMI PART NUMBER.
 NOTES: UNLESS OTHERWISE SPECIFIED.

QUALITY SYMBOLS CRITICAL MAJOR NO SYMBOL + MINOR DIMENSION	UNLESS SPECIFIED: ALL DIMENSIONS IN INCHES GENERAL TOLERANCES: 3 PLACE ±.005 2 PLACE ±.01 ANGULAR ±2°	SCALE 4 : 1 DWG SIZE B	THIRD ANGLE PROJECTION	REVISE ON CAD ONLY	
	ALL EXTERNAL SPECIFICATIONS REFERENCED ON THIS DRAWING SHALL BE TO THE LATEST REVISION IN EFFECT	DRAWN BY & DATE DU 8-28-12 CHECKED BY & DATE DW 8-28-12 APPROVED BY & DATE DW 8-28-12	TITLE: MICRO-D RECEPTACLE, SIZE 21, 36" 24 AWG TYPE "E" LEADS, MR21S05-24E5-36.0 HIGH-TEMP		
	Uti-Mate CAGE CODE 58967	CAD FILENAME SD-434231495.DGN	PART NO. 434231495	DRAWING NO. SD-434231495	SHEET NO. 1 OF 1
	THIS DRAWING CONTAINS INFORMATION THAT IS PROPRIETARY TO ULTI-MATE INCORPORATED AND SHOULD NOT BE USED WITHOUT WRITTEN PERMISSION.				