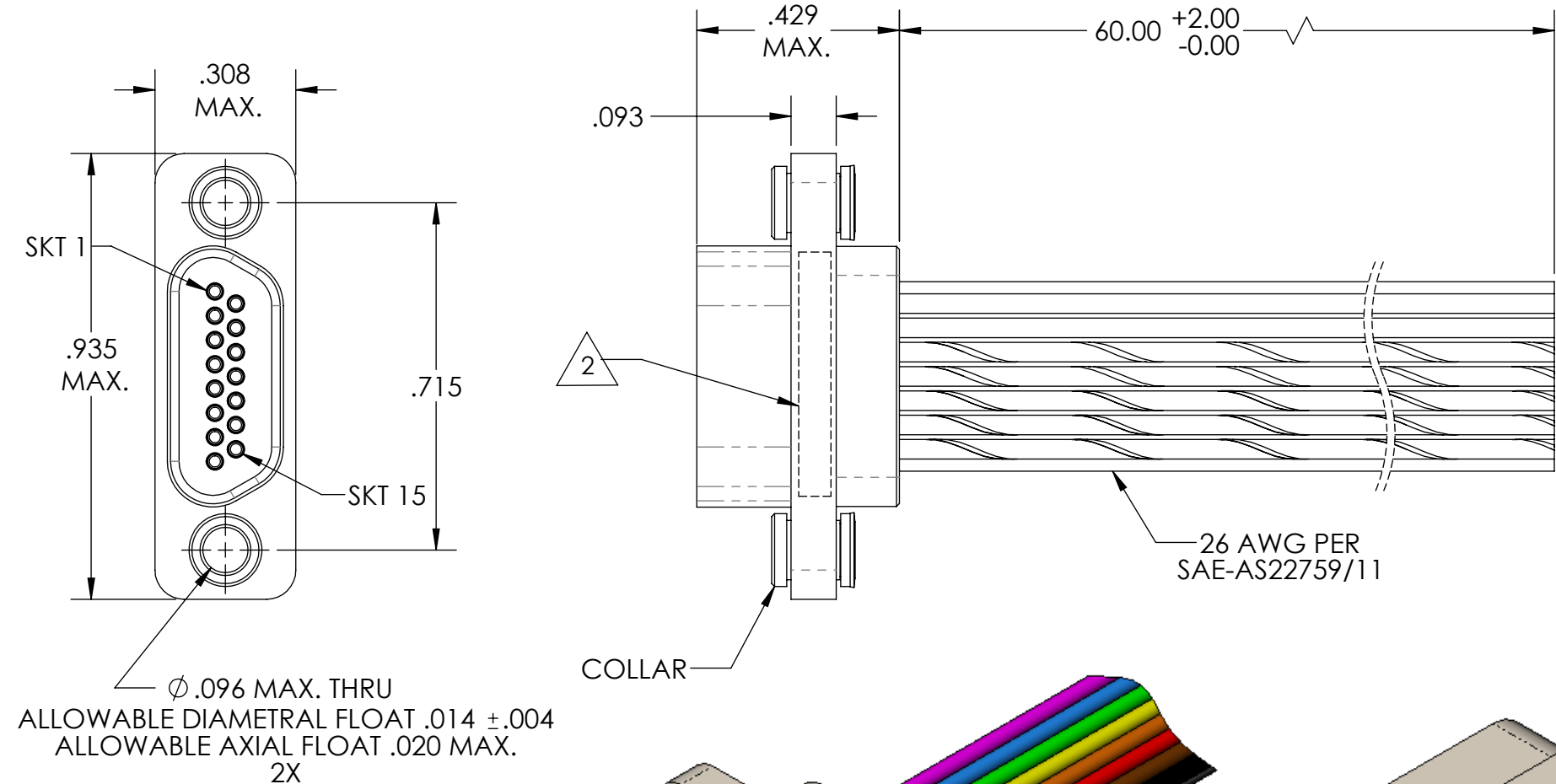
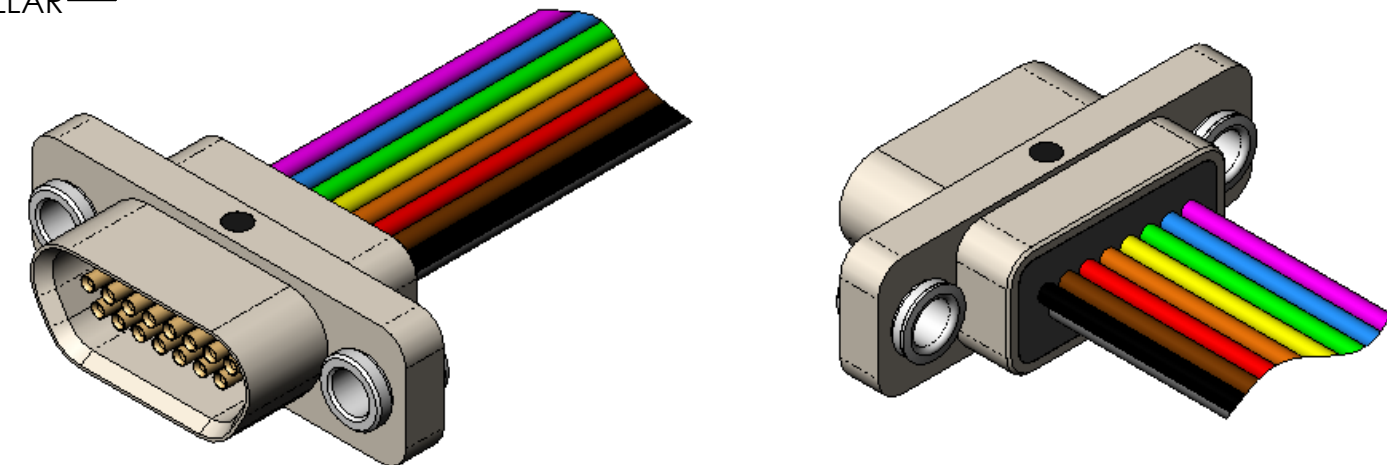


PART REV	DWG ISSUE	DATE	ECN NO.	APPVD BY	REL BY
-	-	8/5/15	UMI5700	DW	DW
A	A	5/4/17	UMI6338	DW	DW

F
E
D
C
B
A



1	BLK
2	BRN
3	RED
4	ORG
5	YEL
6	GRN
7	BLU
8	VIO
9	GRY
10	WHT
11	W/BLK
12	W/BRN
13	W/RED
14	W/ORG
15	W/YEL



4. PERFORMANCE SPECIFICATIONS(AT AMBIENT TEMPERATURE):
 CURRENT RATING: 3 AMPS MAX.
 INSULATION RESISTANCE: 5000 MEGOHM MIN.
 DWV: 600 VAC
 TEMPERATURE RATING: 200° C

3 MATERIALS:
 SHELL: 6061-T6 ALUMINUM PER AMS-Q-Q-A200/8, NICKEL PLATED PER AMS-2404
 INSULATOR: PPS PER MIL-M-24519 GST-40F, COLOR: BLACK
 SOCKET CONTACTS: C21000 COPPER ALLOY PER ASTM B36, GOLD PLATED PER ASTM B488
 WIRES: 26 AWG PER SAE-AS22759/11-26, COLOR CODE PER MIL-STD-681
 HARDWARE: PASSIVATED 300 SERIES STAINLESS STEEL
 INTERFACIAL SEAL: FLUOROSILICONE PER MIL-R-25988

2 MARKING: "UMI", DATE CODE, UMI PART NUMBER, AND WORK ORDER NUMBER.

1. CONNECTOR ASSEMBLY IS IAW MIL-DTL-83513 UNLESS OTHERWISE SPECIFIED.

NOTES: UNLESS OTHERWISE SPECIFIED.

QUALITY SYMBOLS CRITICAL $\nabla_C=2$ MAJOR ∇ NO SYMBOLS = MINOR DIMENSIONS	UNLESS OTHERWISE SPECIFIED: ALL DIMENSIONS ARE IN INCHES [mm] GENERAL TOLERANCES: 3 PLACES $\pm .005$ [.127] 2 PLACES $\pm .01$ [.25] ANGULAR $\pm 2^\circ$ [50°]	SCALE 3:1 DWG SIZE B	THIRD ANGLE PROJECTION	REVISE ON CAD ONLY	
	DRAWN BY & DATE DU 7/28/15	TITLE: CONNECTOR ASSEMBLY, HIGH TEMP, MR15S0-26M5-60.0-F01-S01-HT, SPECIAL		ENG PROJECT #: E244	
	CHECKED BY & DATE DW 7/28/15	MATERIAL: 3		SHEET NO. 1 of 1	
	APPROVED BY & DATE DW 7/28/15	CAD FILE NAME SD-434221900.SLDDRW	PART NO. 434221900	DRAWING NO. SD-434221900	PART REV. A
ULTI-MATE CAGE CODE 58967		THIS DRAWING CONTAINS INFORMATION THAT IS PROPRIETARY TO ULTI-MATE INCORPORATED AND SHOULD NOT BE USED WITHOUT WRITTEN PERMISSION.			

