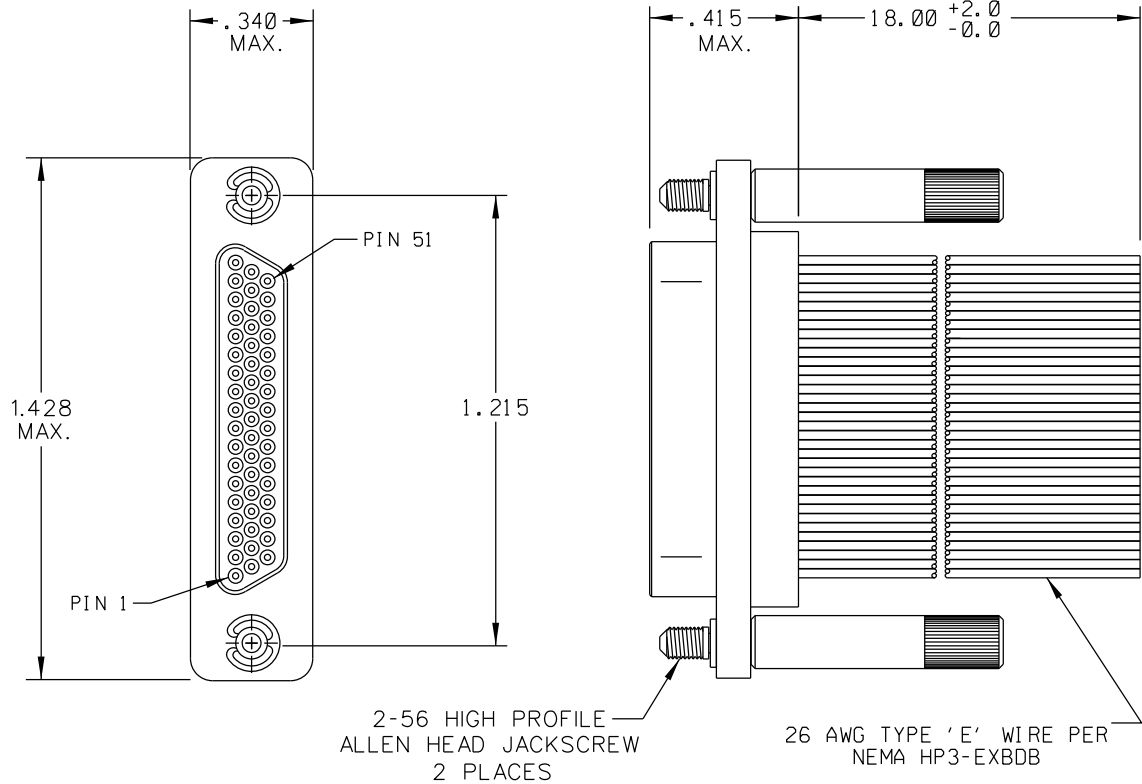


| PART REV | DWG ISSUE | DATE | ECN NO. | APPVD BY | REL BY |
|----------|-----------|---------|----------|----------|--------|
| - | - | 8-30-12 | UMI 4692 | DW | DW |
| A | A | 8-28-14 | UMI 5403 | DW | DW |



| | | | |
|----|-----------|----|-----------|
| 1 | BLK | 26 | W/BLK/VIO |
| 2 | BRN | 27 | W/BLK/GRY |
| 3 | RED | 28 | W/BRN/RED |
| 4 | ORG | 29 | W/BRN/ORG |
| 5 | YEL | 30 | W/BRN/YEL |
| 6 | GRN | 31 | W/BRN/GRN |
| 7 | BLU | 32 | W/BRN/BLU |
| 8 | VIO | 33 | W/BRN/VIO |
| 9 | GRY | 34 | W/BRN/GRY |
| 10 | WHT | 35 | W/RED/ORG |
| 11 | W/BLK | 36 | W/RED/YEL |
| 12 | W/BRN | 37 | W/RED/GRN |
| 13 | W/RED | 38 | W/RED/BLU |
| 14 | W/ORG | 39 | W/RED/VIO |
| 15 | W/YEL | 40 | W/RED/GRY |
| 16 | W/GRN | 41 | W/ORG/YEL |
| 17 | W/BLU | 42 | W/ORG/GRN |
| 18 | W/VIO | 43 | W/ORG/BLU |
| 19 | W/GRY | 44 | W/ORG/VIO |
| 20 | W/BLK/BRN | 45 | W/ORG/GRY |
| 21 | W/BLK/RED | 46 | W/YEL/GRN |
| 22 | W/BLK/ORG | 47 | W/YEL/BLU |
| 23 | W/BLK/YEL | 48 | W/YEL/VIO |
| 24 | W/BLK/GRN | 49 | W/YEL/GRY |
| 25 | W/BLK/BLU | 50 | W/GRN/BLU |
| | | 51 | W/GRN/VIO |

3. PERFORMANCE SPECIFICATIONS (AT AMBIENT TEMPERATURE):
 CURRENT RATING: 3A MAX
 INSULATION RESISTANCE: 5000 MEGOHMS MIN
 DWV: 600 VAC
 TEMPERATURE RATING: 200°C

2. MATERIALS:
 SHELL: 6061-T6 ALUMINUM PER AMS-QQ-A200/8, NICKEL PLATED PER AMS 2404.
 INSULATOR: PPS PER MIL-M-24519 GST-40F, COLOR: BLACK.
 PIN CONTACT: C17410 BERYLLIUM COPPER PER ASTM B768, GOLD PLATED PER ASTM B488.
 HARDWARE: PASSIVATED STAINLESS STEEL IAW MIL-DTL-83513/5.

1. MARKINGS: "UMI", UMI DATE CODE, AND UMI PART NUMBER.
 NOTES: UNLESS OTHERWISE SPECIFIED.

| QUALITY SYMBOLS | UNLESS SPECIFIED: ALL DIMENSIONS IN INCHES | SCALE 4 : 1 | DWG SIZE B | THIRD ANGLE PROJECTION | REVISE ON CAD ONLY |
|-----------------|--|----------------------------------|------------------------------|--|--------------------------------------|
| CRITICAL C | GENERAL TOLERANCES: 3 PLACE ±.005 2 PLACE ±.01 ANGULAR ±2° | DRAWN BY & DATE DU 8-30-12 | CHECKED BY & DATE SEE ECN | TITLE: MICRO-D PLUG, SIZE 51-3, 18* 26 AWG TYPE 'E' LEADS, MR51-3P03-26E5-18.0-HT | |
| SPECIAL S | ALL EXTERNAL SPECIFICATIONS REFERENCED ON THIS DRAWING SHALL BE TO THE LATEST REVISION IN EFFECT | APPROVED BY & DATE SEE ECN | MATERIAL: 2 | | |
| KEY K | Uti-Mate CAGE CODE 58967 | CAD FILENAME SD-434171073.DGN | PART NO. 434171073 | DRAWING NO. SD-434171073 | SHEET NO. 1 OF 1 PART REV A |

THIS DRAWING CONTAINS INFORMATION THAT IS PROPRIETARY TO ULTI-MATE INCORPORATED AND SHOULD NOT BE USED WITHOUT WRITTEN PERMISSION.