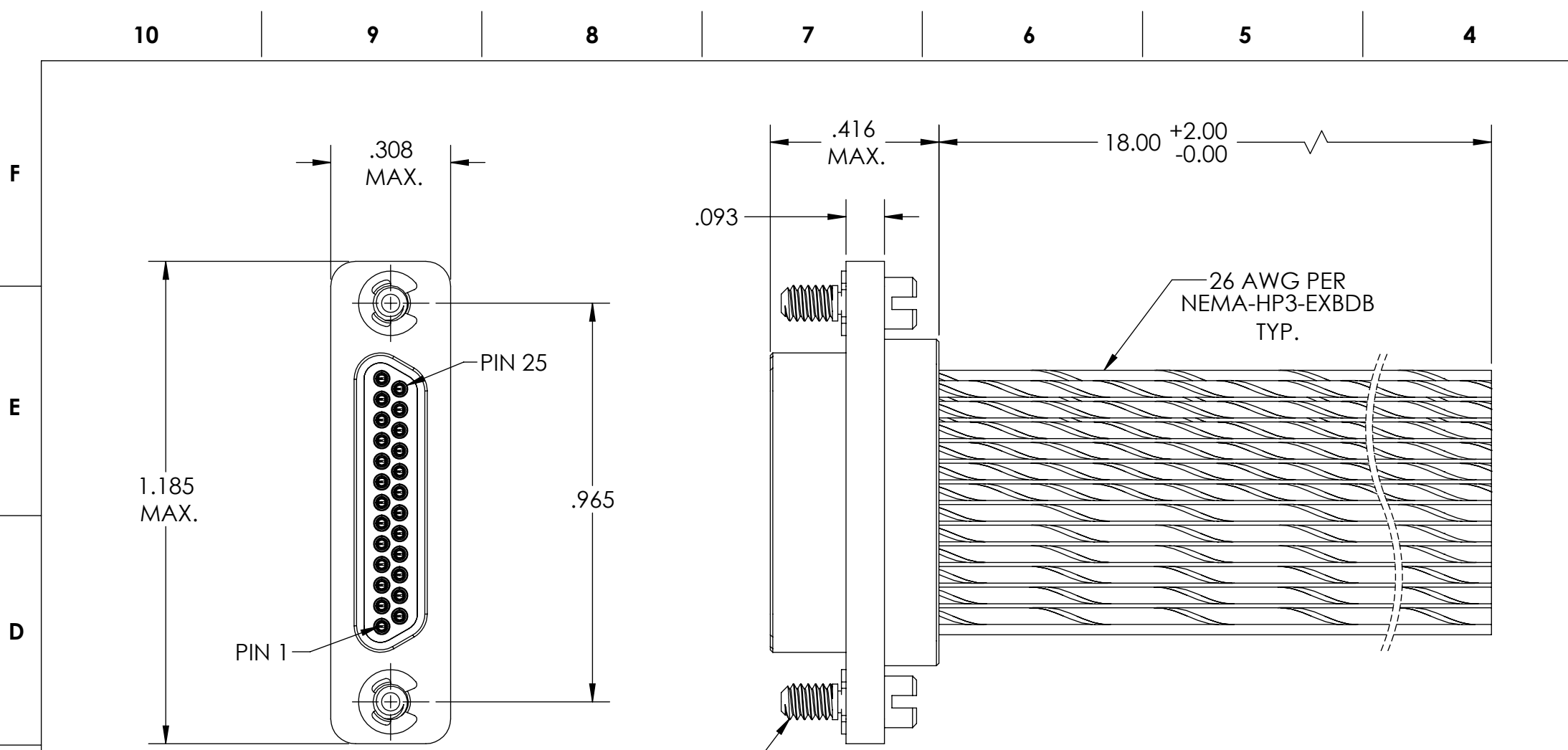
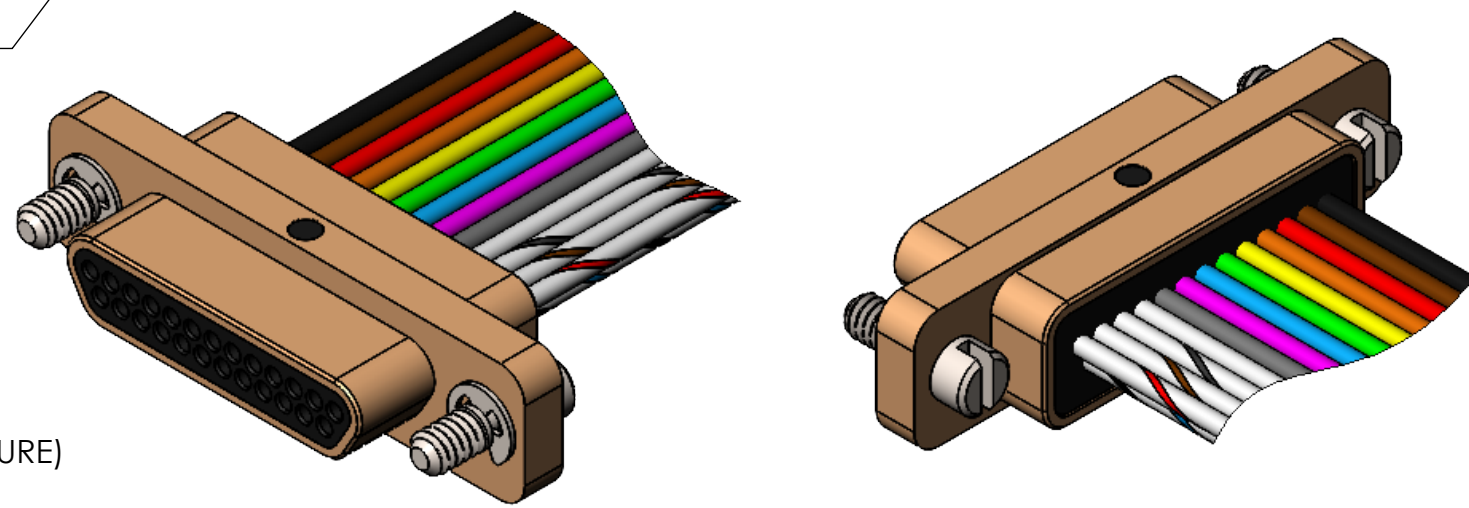


| PART REV | | DWG ISSUE | DATE | ECN NO. | APPVD BY | REL BY |
|----------|---|-----------|--------|---------|----------|--------|
| - | - | - | 3/4/21 | UMI7689 | DU | DW |



| | |
|----|-----------|
| 1 | BLK |
| 2 | BRN |
| 3 | RED |
| 4 | ORG |
| 5 | YEL |
| 6 | GRN |
| 7 | BLU |
| 8 | VIO |
| 9 | GRY |
| 10 | WHT |
| 11 | W/BLK |
| 12 | W/BRN |
| 13 | W/RED |
| 14 | W/ORG |
| 15 | W/YEL |
| 16 | W/GRN |
| 17 | W/BLU |
| 18 | W/VIO |
| 19 | W/GRY |
| 20 | W/BLK/BRN |
| 21 | W/BLK/RED |
| 22 | W/BLK/ORG |
| 23 | W/BLK/YEL |
| 24 | W/BLK/GRN |
| 25 | W/BLK/BLU |

2-56 JACKSCREW
LOW-PROFILE
SLOT HEAD
2X



- 5. CONTACT HEIGHTS ARE TO BE PER QA-STD-101.
- 4. PERFORMANCE SPECIFICATIONS: (AT AMBIENT TEMPERATURE)
CURRENT RATING: 3 AMPS MAX.
DWV: 600 VAC
TEMPERATURE RATING: -55°C TO 200°C

3 MATERIALS:
SHELL: 6061-T6 ALUMINUM PER AMS-Q-Q-A200/8, CADMIUM PLATED PER AMS-QQ-P-416
INSULATOR: PPS PER MIL-M-24519 GST-40F, COLOR: BLACK
PIN CONTACTS: C17410 BERYLLIUM COPPER PER ASTM B768, GOLD PLATED PER ASTM B488
HARDWARE: PASSIVATED STAINLESS STEEL IAW MIL-DTL-83513/5
WIRE: 26 AWG PER NEMA-HP3-EXBDB, COLOR CODE PER MIL-STD-681

- 2. MARKING: "UMI", DATE CODE, UMI PART NUMBER, UMI WORK ORDER NUMBER
- 1. CONNECTOR ASSEMBLY IS IAW MIL-DTL-83513 WHERE APPLICABLE.

NOTES: UNLESS OTHERWISE SPECIFIED.

| | | | | | | |
|---|---|--|--|------------------------------|------------------------------------|----------------|
| QUALITY SYMBOLS CRITICAL MAJOR NO SYMBOLS = MINOR DIMENSIONS | UNLESS OTHERWISE SPECIFIED: ALL DIMENSIONS ARE IN INCHES | SCALE 3:1 | DWG SIZE B | THIRD ANGLE PROJECTION | REVISE ON CAD ONLY | |
| | GENERAL TOLERANCES: 3 PLACES ±.005 2 PLACES ±.01 ANGULAR ±2° | DRAWN BY & DATE DU 3/4/21 | TITLE: MICRO-D CONNECTOR ASSEMBLY, MR25P05-26E5-18.0-HT, CAD SHELL, HI-TEMP | | ENG PROJECT #: NONE | |
| | ULTI-MATE CAGE CODE 58967 | CHECKED BY & DATE DW 3/4/21 | MATERIAL: 3 | | SHEET NO. 1 of 1 | |
| | | APPROVED BY & DATE DW 3/4/21 | CAD FILE NAME SD-434140075.SLDDRW | PART NO. 434140075 | DRAWING NO. SD-434140075 | PART REV. - |

THIS DRAWING CONTAINS INFORMATION THAT IS PROPRIETARY TO ULTI-MATE INCORPORATED AND SHOULD NOT BE USED WITHOUT WRITTEN PERMISSION.

