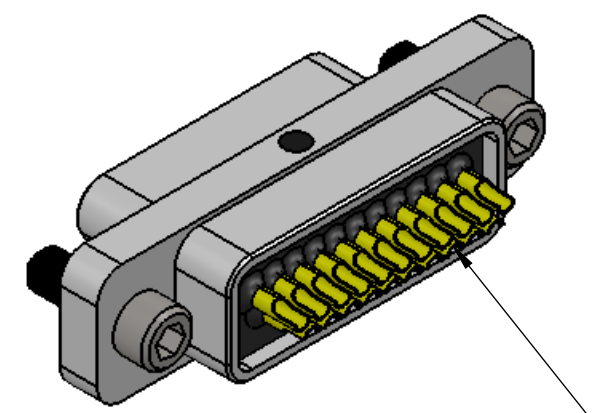
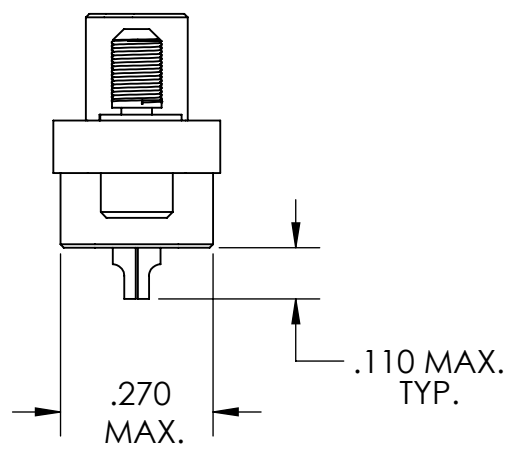
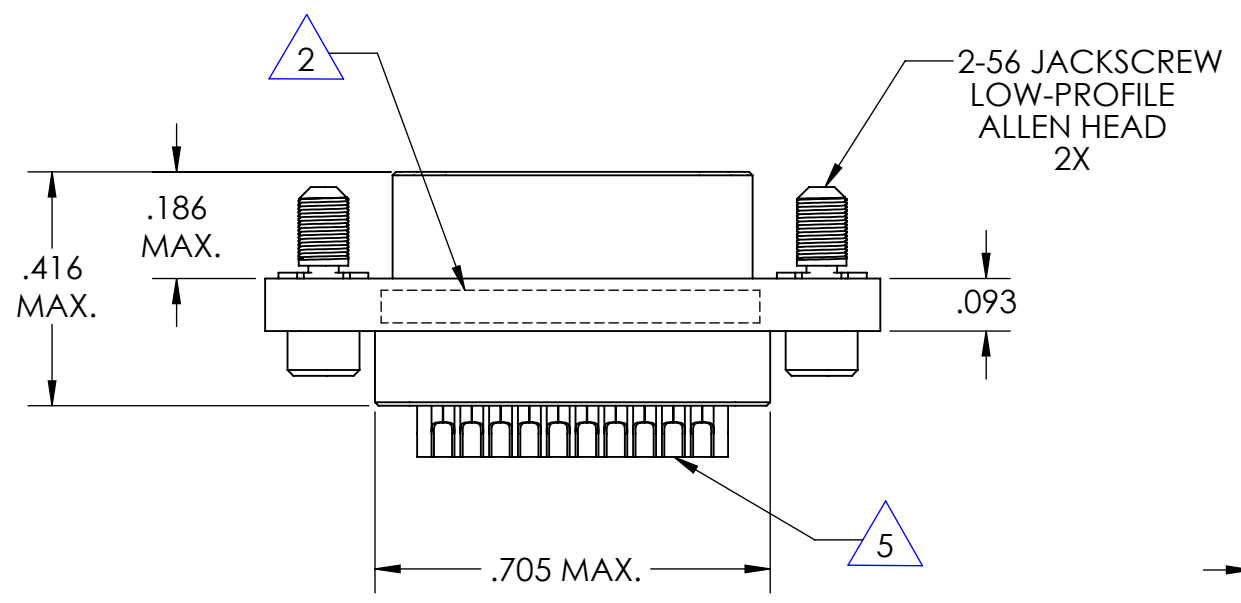
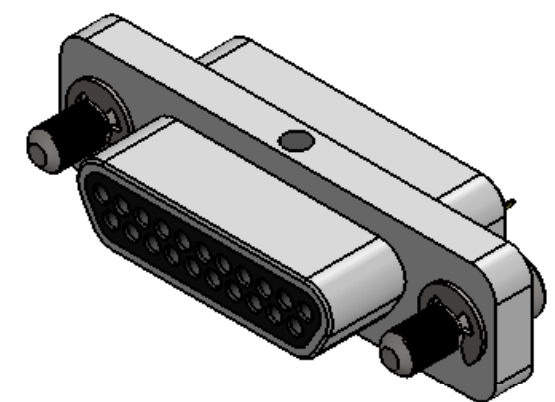
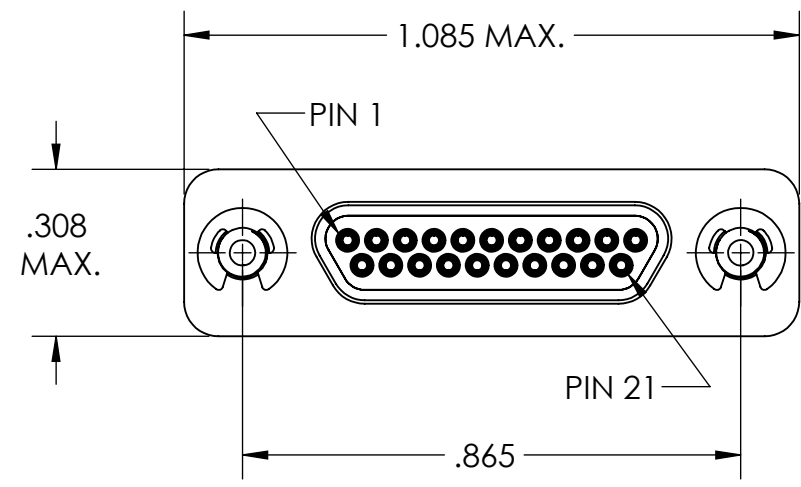


PART REV	DWG ISSUE	DATE	ECN NO.	APPVD BY	REL BY
-	-	2/20/14	UMI5247	DW	DW



SOLDER CUPS ARE ORIENTATED AS SHOWN

5 SOLDER CUP CONTACTS WILL ACCEPT UP TO 24 AWG WIRE.

4. PERFORMANCE SPECIFICATIONS:
 CURRENT RATING: 3 AMPS MAX. AT AMBIENT TEMPERATURE
 DWV: 600 VAC
 TEMPERATURE RATING: 200° C

3 MATERIALS:
 SHELL: 6061-T6 ALUMINUM PER AMS-QQ-A200/8, NICKEL PLATED PER AMS 2404
 INSULATOR: PPS PER MIL-M-24519 GST-40F, COLOR: BLACK
 PIN CONTACTS: C17400 BERYLLIUM COPPER PER ASTM B888, GOLD PLATED PER ASTM B488
 HARDWARE: PASSIVATED STAINLESS STEEL IAW MIL-DTL-83513/5

2 MARKING "UMI", DATE CODE, UMI PART NUMBER.

1. CONNECTOR ASSEMBLY IS IAW MIL-DTL-83513 UNLESS OTHERWISE SPECIFIED.

NOTES: UNLESS OTHERWISE SPECIFIED.

QUALITY SYMBOLS CRITICAL MAJOR NO SYMBOLS = MINOR DIMENSIONS	UNLESS OTHERWISE SPECIFIED: ALL DIMENSIONS ARE IN INCHES	SCALE 3:1	DWG SIZE B	THIRD ANGLE PROJECTION	REVISE ON CAD ONLY		
	GENERAL TOLERANCES: 3 PLACES ±.005 2 PLACES ±.01 ANGULAR ±2°	DRAWN BY & DATE DU 2/19/14		TITLE: MICRO-D SOLDER CUP CONNECTOR, MR21N02-S01-HT, HIGH TEMP			
		CHECKED BY & DATE DW 2/19/14		MATERIAL: 3	ENG PROJECT #: E175		
		APPROVED BY & DATE DW 2/19/14		PART NO. 434131002	DRAWING NO. SD-434131002		
	ULTI-MATE CAGE CODE 58967	CAD FILE NAME SD-434131002.SLDDRW	THIS DRAWING CONTAINS INFORMATION THAT IS PROPRIETARY TO ULTI-MATE INCORPORATED AND SHOULD NOT BE USED WITHOUT WRITTEN PERMISSION.		PART REV. -		