

1

2

3

4

5

6

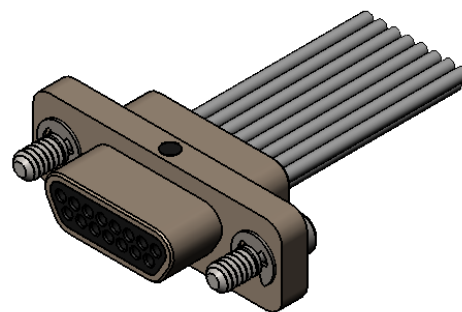
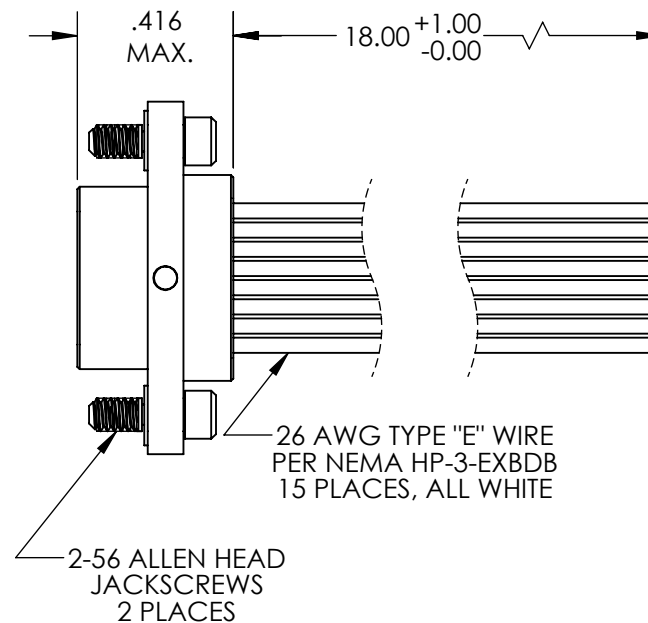
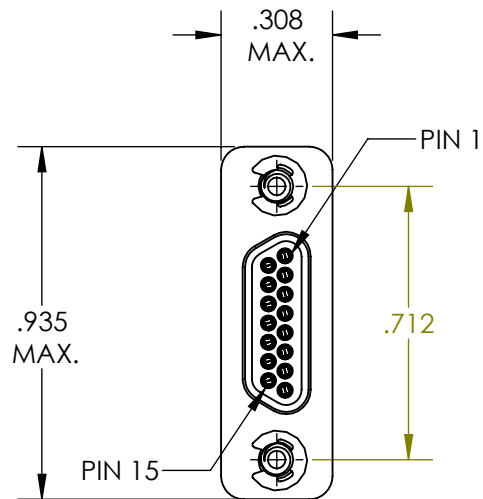
7

8

DWG# SD-434121012

## REVISIONS

DWG. ISSUE	PART REV.	ECN NO.	DATE
-	-	UMI4722	09/19/2012
A	A	UMI5403	8/27/14



## 3. PERFORMANCE SPECIFICATIONS (AT AMBIENT TEMPERATURE):

CURRENT RATING: 3A MAX  
 INSULATION RESISTANCE: 5000 MΩ MIN.  
 DWV: 600 VAC  
 TEMPERATURE RATING: 200°C

- MATERIALS:**  
 SHELL: 6061-T6 ALUMINUM PER AMS-QQ-A200/8, NICKEL PLATED PER AMS 2404  
 INSULATOR: PPS PER MIL-M-24519 GST-40, COLOR: BLK  
 PIN CONTACT: C17410 BERYLLIUM COPPER PER ASTM B768, GOLD PLATED PER ASTM B488  
 HARDWARE: PASSIVATED STAINLESS STEEL IAW MIL-DTL-83513/5
1. MARKINGS: UMI, UMI PART NO., AND DATE CODE
- NOTES: UNLESS OTHERWISE SPECIFIED

QUALITY SYMBOLS MAJOR CRITICAL SPC	UNLESS SPECIFIED: ALL DIMENSIONS IN INCHES	SCALE <b>2:1</b>	DWG SIZE <b>A</b>	THIRD ANGLE PROJECTION	<b>REVISE ON CAD ONLY</b>	
	GENERAL TOLERANCES: 3 PLACE ±.005 2 PLACE ±.01 ANGULAR ±2°	DRAWN BY & DATE <b>J.BUZOIANU 9/19/2012</b>		TITLE MICRO-D CONNECTOR, PLUG, SIZE 15 MR15P02-26E1-18.0-S01-HT		
	Ulli-Mate CAGE CODE <b>58967</b>	CHECKED BY & DATE <b>DW 9-19-12</b>		MATERIAL 		
		CAD FILENAME SD-434121012.slddrw	PART NO. 434121012	DRAWING NO. SD-434121012	SHEET NO. 1 OF 1	PART REV. A

THIS DRAWING CONTAINS INFORMATION THAT IS PROPRIETARY TO ULTI-MATE INCORPORATED AND SHOULD NOT BE USED WITHOUT WRITTEN PERMISSION.