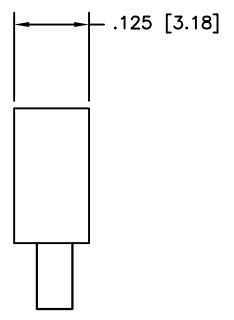
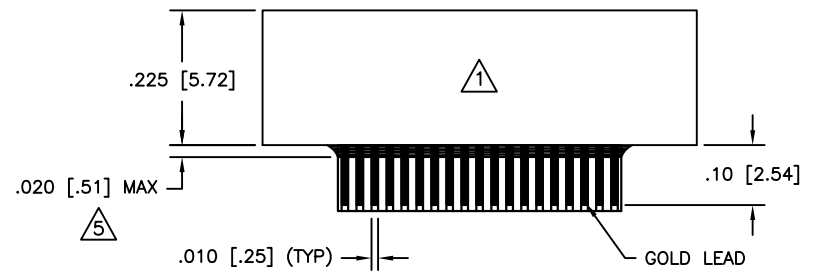
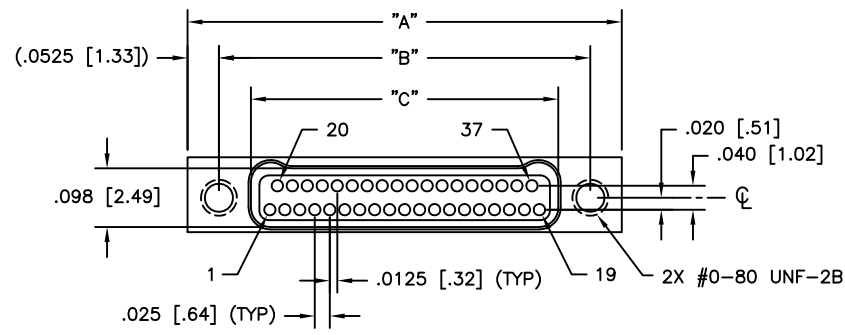


3			2		
PART REV	DWG ISSUE	DATE	ECN NO.	APPVD BY	REL BY
-	-	07/18/19	UMI7214	T.POMBART	PER
A	A	07/26/22	UMI8091	CB	DW



PART NO.	SIZE	"A"	"B"	"C"
433411037	9	.375 [9.52]	.270 [6.86]	.163 [4.14]
433421037	15	.450 [11.43]	.345 [8.76]	.238 [6.04]
433431037	21	.525 [13.33]	.420 [10.67]	.313 [7.95]
433441037	25	.575 [14.60]	.470 [11.94]	.363 [9.22]
433451037	31	.650 [16.51]	.545 [13.84]	.438 [11.12]
433461037	37	.725 [18.41]	.620 [15.75]	.513 [13.03]
433471037	51	.900 [22.86]	.795 [20.19]	.688 [17.47]
433481037	65	1.075 [27.30]	.970 [24.64]	.863 [21.92]

- △ A LINE OF EPOXY TO BE ADDED, AS SHOWN, ON BOTH SIDES
  - 4. PERFORMANCE: MANUFACTURED TO THE FOLLOWING M32139 PERFORMANCE SPECIFICATIONS  
 CONTACT RATING: 1 AMPERE MAXIMUM AT AMBIENT TEMPERATURE  
 DWV: 250 VAC  
 INSULATION RESISTANCE: 5000 MEGOHMS MINIMUM @ 100 VDC  
 CONTACT RESISTANCE: 0.021 VOLT MAXIMUM DROP @ 1.0 AMPS (.021 OHMS)
  - 3. INTERMATEABILITY: INTERFACE DIMENSIONS PER MIL-DTL-32139
  - △ 2. MATERIALS: SHELL: ALUMINUM 6061-T6, ELECTROLESS NICKEL PLATED PER AMS2404  
 INSULATOR: LCP (LIQUID CRYSTAL POLYMER) GLCP-30F  
 CONTACT: BERYLLIUM COPPER PER ASTM B194, GOLD PLATED PER ASTM B488  
 LEADS: GOLD LEADS (ROHS COMPLIANT)  
 EPOXY: 200° CELSIUS
  - △ 1. MARKINGS: UMI, UMI P/N, DATE CODE & W/O NO. AS SPACE PERMITS OTHERWISE ON BAG OR TAG
- NOTES: UNLESS OTHERWISE SPECIFIED

QUALITY SYMBOLS MAJOR = CRITICAL C = SPC S =	UNLESS SPECIFIED: ALL DIMENSIONS IN INCHES	SCALE 5:1	DWG SIZE B	THIRD ANGLE PROJECTION	REVISE ON CAD ONLY
	GENERAL TOLERANCES: 3 PLACE ±.005 2 PLACE ±.010 ANGULAR ±2°	DRAWN BY & DATE PER 07-18-19	TITLE: NANO-D DUAL ROW CONNECTOR FEMALE, SIZE XX, NMLXX-2T072-S01 HT		
	Ultri-Mate CAGE CODE 58967	CHECKED BY & DATE SEE ECN	APPROVED BY & DATE SEE ECN	MATERIAL: △	Ultri-Mate Connector Inc.
		CAD FILENAME SD-433461037.DWG	PART NO. SEE "TAB BLOCK"	DRAWING NO. SD-433461037	SHEET NO. 1 OF 1 PART REV A

THIS DRAWING CONTAINS INFORMATION THAT IS PROPRIETARY TO ULTI-MATE INCORPORATED AND SHOULD NOT BE USED WITHOUT WRITTEN PERMISSION.