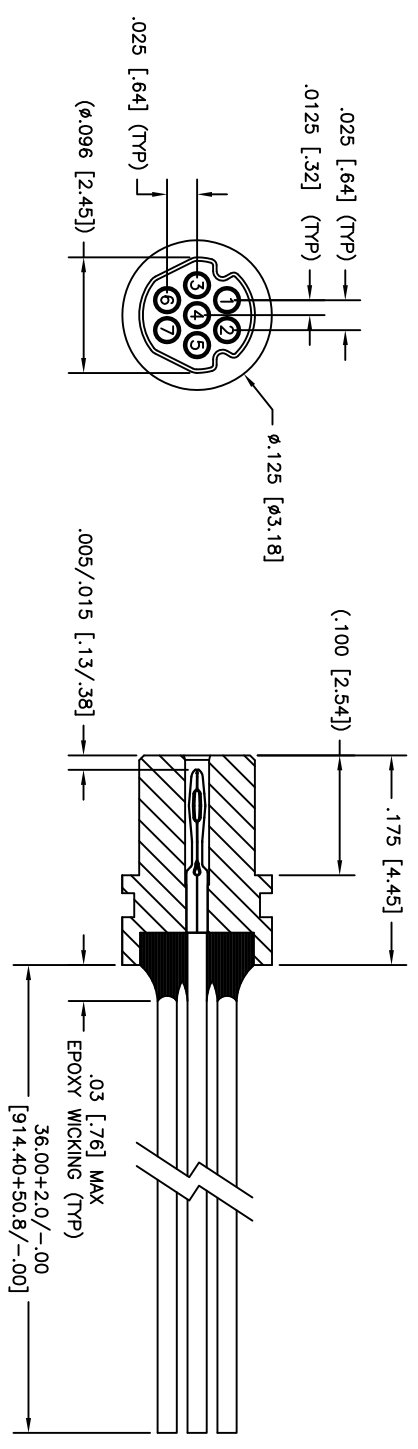


WIRING COLOR CODE

- 1 — BLACK
- 2 — BROWN
- 3 — RED
- 4 — ORANGE
- 5 — YELLOW
- 6 — GREEN
- 7 — BLUE



3. PERFORMANCE: MANUFACTURED TO MEET THE FOLLOWING M32139 PERFORMANCE SPECIFICATIONS
 CONTACT RATING: 1 AMPERE MAXIMUM
 DWV: 250 VAC
 INSULATION RESISTANCE: 5000 MEGOHMS MINIMUM @ 100 VDC
 CONTACT RESISTANCE: 0.071 VOLT MAXIMUM DROP @ 1.0 AMPS (.071 OHMS)
 W/6.00" OF WIRE LISTED BELOW, PER MIL-DTL-32139

2. MATERIALS: INSULATOR: LCP (LIQUID CRYSTAL POLYMER) GLCP-30F
 CONTACT: BERYLLIUM COPPER PER ASTM B194, GOLD PLATED PER ASTM B488
 LEADS: 30 AWG, NEMA HP3, TYPE ET, COLOR CODED PER MIL-DTL-681, SYSTEM 1
 EPOXY: 200° CELSIUS

1. MARKINGS: UMI, UMI P/N, DATE CODE & W/O NO. ON BAG OR TAG
 NOTES: UNLESS OTHERWISE SPECIFIED

PART DWG REV ISSUE	DATE	ECN NO.	APP'D BY	REL BY
—	05/05/18	UMI6760	TPOMBART	PER

QUALITY SYMBOLS MAJOR = MINOR = CRITICAL = SPC = S =	UNLESS SPECIFIED, ALL DIMENSIONS IN INCHES GENERAL TOLERANCES: 3 PLACE ±.005 2 PLACE ±.010 ANGULAR ±2°	SCALE 10:1	DWG SIZE B	THIRD ANGLE PROJECTION	REVISE ON CAD ONLY
		DRAWN BY & DATE PER 05-03-18 CHECKED BY & DATE SEE ECN APPROVED BY & DATE SEE ECN	TITLE NANO CIRCULAR CONNECTOR, SIZE 7 PLUG, RNPOP-07P-30F6-36.0 HT		
		CAD FILENAME SD-421031130.DWG	PART NO. 421031130	DRAWING NO. SD-421031130	SHEET NO. 1 OF 1
		THIS DRAWING CONTAINS INFORMATION THAT IS PROPRIETARY TO ULTI-MATE INCORPORATED AND SHOULD NOT BE USED WITHOUT WRITTEN PERMISSION.			