

10

9

8

7

6

5

4

3

2

SD-412071000

PART REV	DWG ISSUE	DATE	ECN NO.	APPVD BY	REL BY
-	-	5/28/21	UMI7767	DU	DW

F

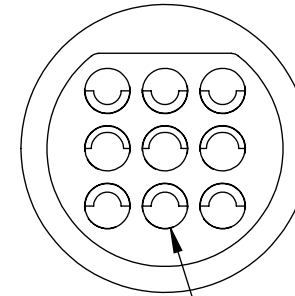
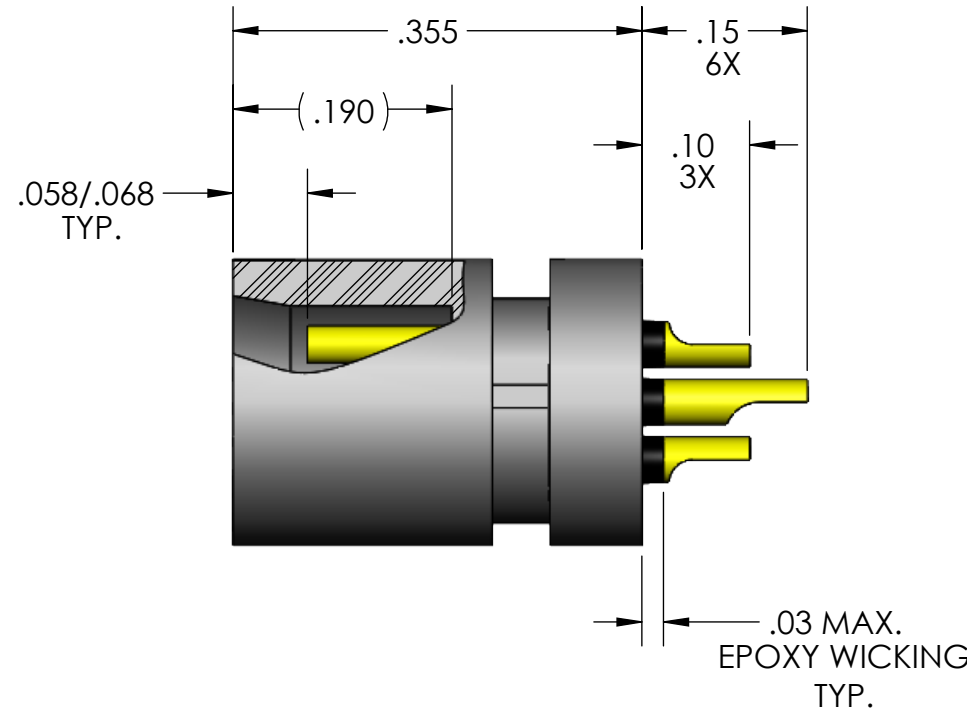
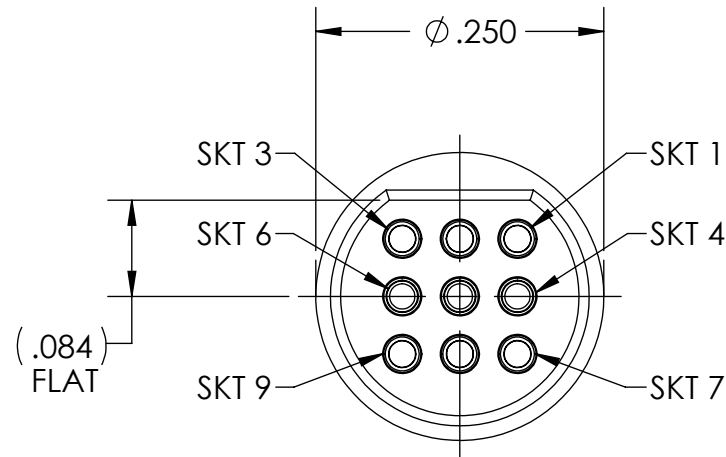
E

D

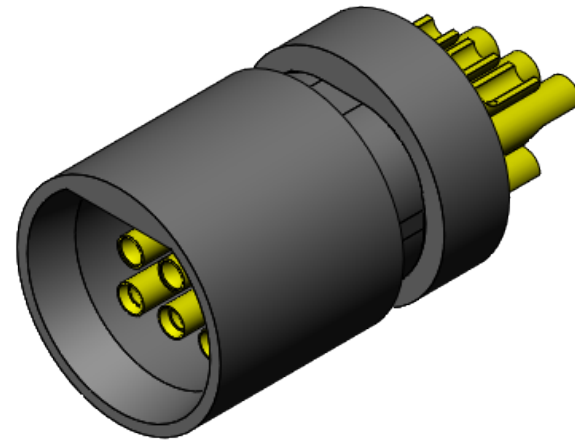
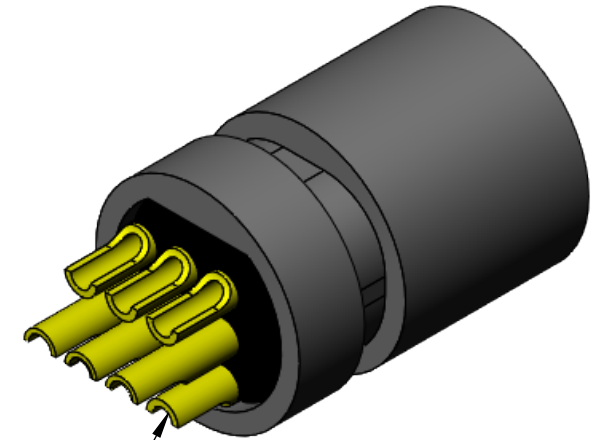
C

B

A



SOLDER CUPS ARE ORIENTATED AS SHOWN



4. CONTACT HEIGHTS ARE TO BE PER QA-STD-101.

3. PERFORMANCE SPECIFICATIONS (AT ROOM TEMP.):
 CURRENT RATING: 3 AMPS MAX.
 DWV: 600 VAC
 TEMPERATURE RATING: -55°C TO 200°C

2 MATERIALS:
 INSULATOR: LCP E130i, COLOR: BLACK
 SOCKET SOLDER CUPS CONTACTS: CDA 314 BRASS, GOLD PLATED PER ASTM B488

1. MARKING: BAG AND TAG WITH: "UMI", DATE CODE, UMI PART NUMBER, UMI WORK ORDER NUMBER

NOTES: UNLESS OTHERWISE SPECIFIED.

QUALITY SYMBOLS CRITICAL MAJOR NO SYMBOLS = MINOR DIMENSIONS	UNLESS OTHERWISE SPECIFIED: ALL DIMENSIONS ARE IN INCHES	SCALE NONE	DWG SIZE B	THIRD ANGLE PROJECTION REVISE ON CAD ONLY		
	GENERAL TOLERANCES: 3 PLACES ±.005 2 PLACES ±.01 ANGULAR ±2°	DRAWN BY & DATE DU 5/28/21		TITLE: MICRO CIRCULAR CONNECTOR ASSEMBLY, RPOP-09T-HT, SOCKET SOLDER CUPS, HIGH-TEMP		
		CHECKED BY & DATE DW 5/28/21		MATERIAL: 		
		APPROVED BY & DATE DW 5/28/21		ENG PROJECT #: NONE		
	ULTI-MATE CAGE CODE 58967	CAD FILE NAME SD-412071000.slddrw	PART NO. 412071000	DRAWING NO. SD-412071000	SHEET NO. 1 of 1	
THIS DRAWING CONTAINS INFORMATION THAT IS PROPRIETARY TO ULTI-MATE INCORPORATED AND SHOULD NOT BE USED WITHOUT WRITTEN PERMISSION.						

