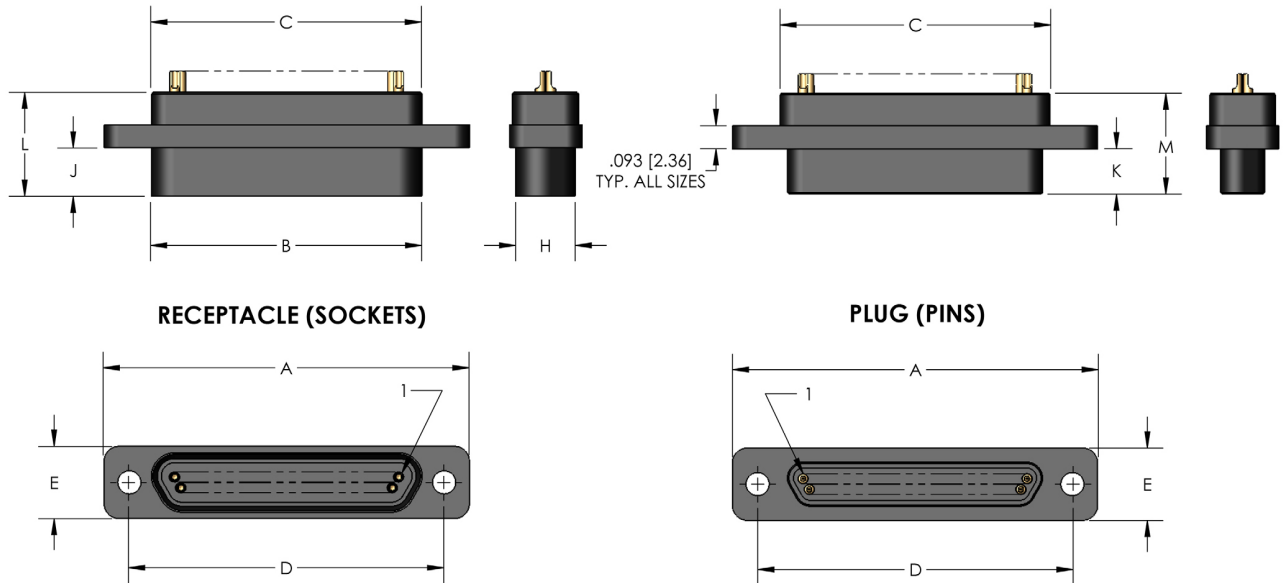


PERFORMANCE DATA

MECHANICAL	
CONTACT ENGAGING FORCE:	6 oz max. (Contact average is 3 oz.)
CONTACT SEPARATING FORCE:	0.5 oz. min.
CONNECTOR MATING FORCE:	10 oz. x number of contacts max.
CONNECTOR UNMATING FORCE:	10 oz. x number of contacts min.
VIBRATION:	No damage or interruption detected (one microsecond sensitivity) EIA-364-28 Condition IV
SHOCK:	No damage or interruption detected (one microsecond sensitivity) EIA-364-27 Condition E
DURABILITY:	No mechanical or electrical defects after 5000 matings.
SALT SPRAY:	No exposure of base metal or loss of performance after 96 hours for both Nickel and Cadmium plating

DIMENSIONS



Size	ALL		B SERIES							
	A Max.	B Max.	C Max.	D Max.	H Max.	E Max.	J Max. (Skt)	K Max. (Pin)	L Max. (Skt)	M Max. (Pin)
9	.785 (19.94)	.402 (10.21)	.393 (9.98)	.565 (14.35)	.248 (6.30)	.308 (7.83)	.199 (5.05)	.187 (4.75)	.429 (10.90)	.416 (10.57)
15	.935 (23.75)	.552 (14.02)	.543 (13.79)	.715 (18.16)	.248 (6.30)	.308 (7.83)	.199 (5.05)	.187 (4.75)	.429 (10.90)	.416 (10.57)
21	1.085 (27.56)	.702 (17.83)	.693 (17.60)	.865 (21.47)	.248 (6.30)	.308 (7.83)	.199 (5.05)	.187 (4.75)	.429 (10.90)	.416 (10.57)
25	1.185 (30.10)	.802 (20.37)	.793 (20.14)	.965 (24.51)	.248 (6.30)	.308 (7.83)	.199 (5.05)	.187 (4.75)	.429 (10.90)	.416 (10.57)
31	1.335 (33.91)	.952 (24.18)	.943 (23.95)	1.115 (28.32)	.248 (6.30)	.308 (7.83)	.199 (5.05)	.187 (4.75)	.429 (10.90)	.416 (10.57)
37	1.485 (37.72)	1.102 (27.99)	1.093 (27.76)	1.265 (32.13)	.248 (6.30)	.308 (7.83)	.199 (5.05)	.187 (4.75)	.429 (10.90)	.416 (10.57)
51	1.435 (36.45)	1.054 (26.77)	1.041 (26.44)	1.215 (30.86)	.297 (7.54)	.351 (8.92)	.199 (5.05)	.187 (4.75)	.429 (10.90)	.416 (10.57)
100	2.165 (54.99)	1.505 (38.23)	1.442 (36.63)	1.800 (45.72)	.394 (10.00)	.394 (10.00)	.199 (5.05)	.187 (4.75)	.429 (10.90)	.416 (10.57)